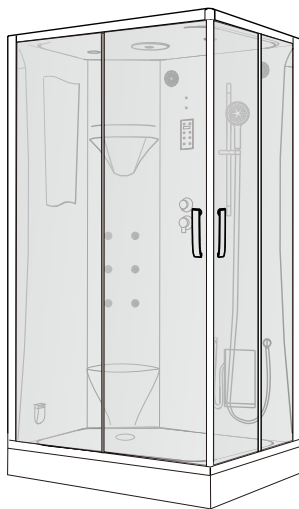


Reminder: the company reserves the right to make change on the product appearance and accessories and no further notice is given. The dimension and color of any product are subject to those of the material object.

USING INSTRUCTIONS OF SHOWER ROOM



BU102A.WU102A

Preface

Thank you wholeheartedly for purchasing our shower room. To use this product safely and efficiently, please read this manual carefully before use, and pay attention to the followings:

- 1, We will offer the quality warranty service for the user of this product. To guarantee your interests, please complete the warranty card carefully, and call the dealer or us for any other service needed.
- 2, Any damage or trouble of the product caused by improper installation or operation shall be excluded in the warranty.
- 3, To achieve the best service effect of this line of products, it is recommended to use our original parts.
- 4, To avoid fire or electric shock, please ensure that controller is not exposed to rain or wet surroundings. As controller contains accessories with dangerous high-voltage, please do not open the cover.
- 5, Without permissions from controller manufacturer and authorized party, any change or disassembly of this controller will probably bring inconvenience in use to user.
- 6, Power supply adopted should match voltage specification marked on the controller. Otherwise it becomes unusable and can even burn out the controller.
- 7, When installing the controller, please check cautiously whether the loaded parameters corresponds to those required by the controller. Otherwise it becomes unusable and can even burn out the controller.
8. If occasional crash appears, please restart it.

Installation and use Caution

To guarantee normal use of products and personal safety of users and prolong use life of products, please read carefully the following requirements before use:

- 1, Users must perform load installation in strict accordance with circuit drawing and parameters offered by our company.
- 2, Should not be illegal manufacturers recommend electrical equipment connected to the controller, and prohibit the unauthorized disassembly, modification have been sealed wiring or charging power supply inserting box wiring and plug.
- 3, Connect the line power supply box should press connector number and specification corresponding socket, output line can not be short circuit.
- 4, For there is no repairable elements in controller, do not attempt any improvement, Because of dangerous high voltage in controller, maintenance and adjustment must be carried on by professionals.

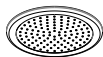
The company is not held responsible for results caused by users' violation of the above-mentioned operation specifications



part names



handle



Top gush



shower



shower chain



Medical bathing box



copper lifting support



pulley




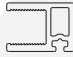
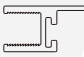
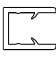






single handle



Shower head water supply connection bas

Installation Tools Suggested (Prepared by User)

 LC-389	 LC-333	 LC-371A	 LC-373	 LC-375	 308P4
 LC-372	 334 rubber mat (Left)	 334 rubber mat (Right)	 Plastic corner		

Spare screws



ST4X10 countersunk
wood screw



ST4X35 countersunk
wood screw



ST4X16 round
self-tapping screw



ST4X18 countersunk
wood screw



M6X30 hexagonal screw



hexagonal socket screw



M6X30 countersunk wood screw



M4 nut



M4 stainless steel gasket

Recommendation tools(user-owned)



Screwdriver



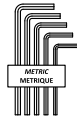
Hammer



Foot level



Wrench



Hexagonal key

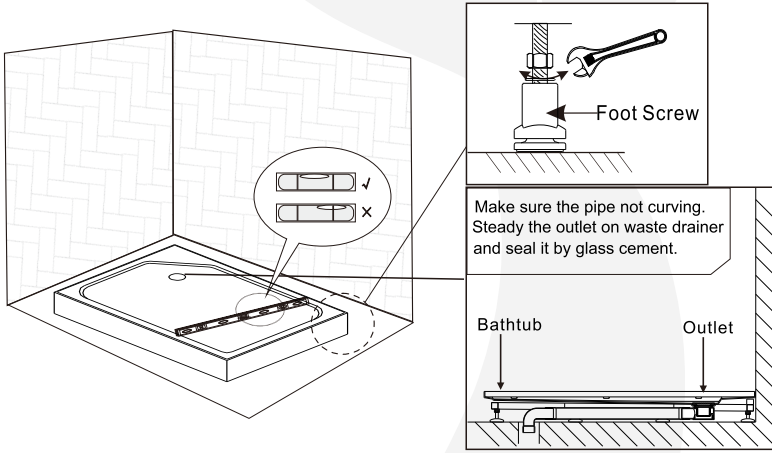


Percussion drill

ϕ 4.0
 ϕ 3.0

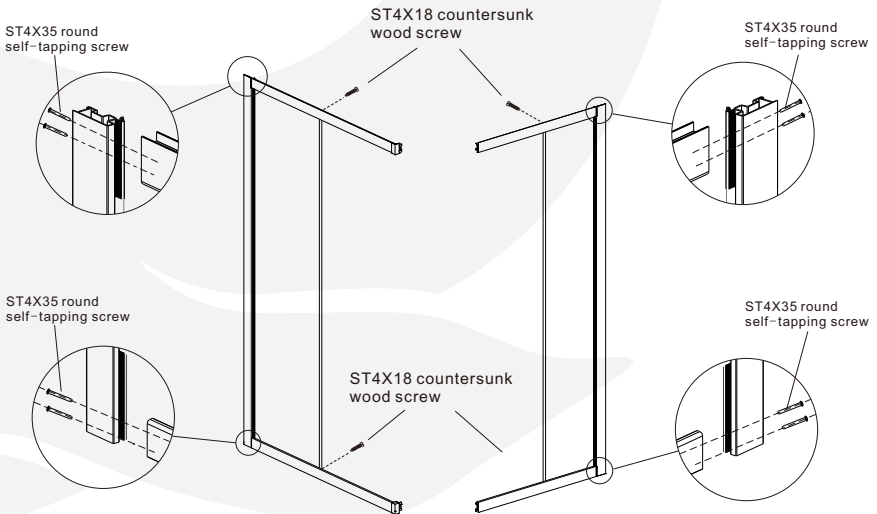
Installation Steps

I. Base tray installation

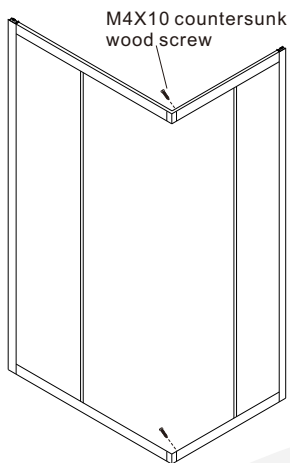


(Fig. 1)

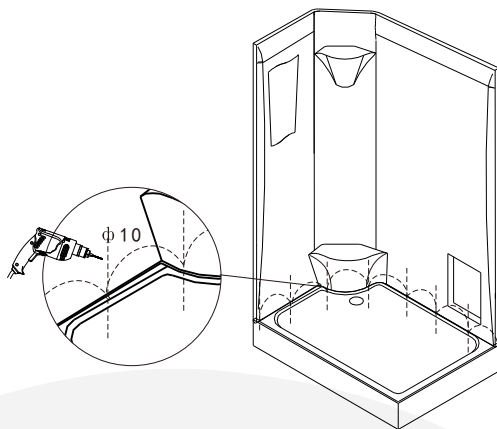
II. Glass door installation



(Fig.2)

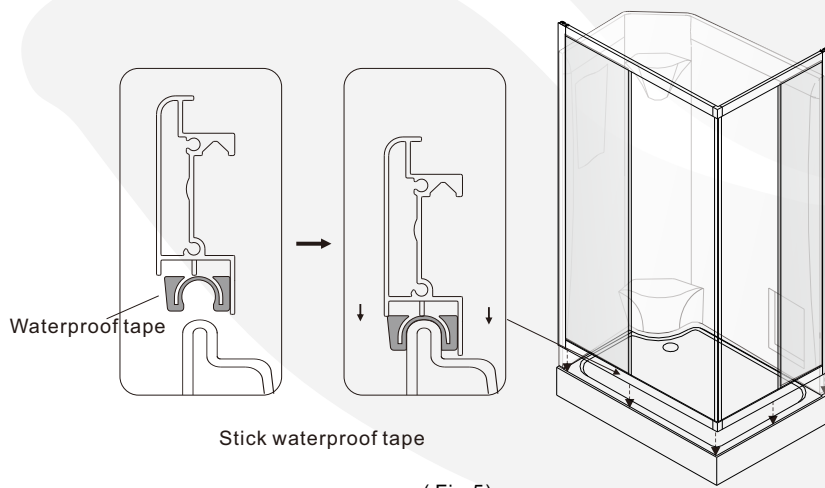


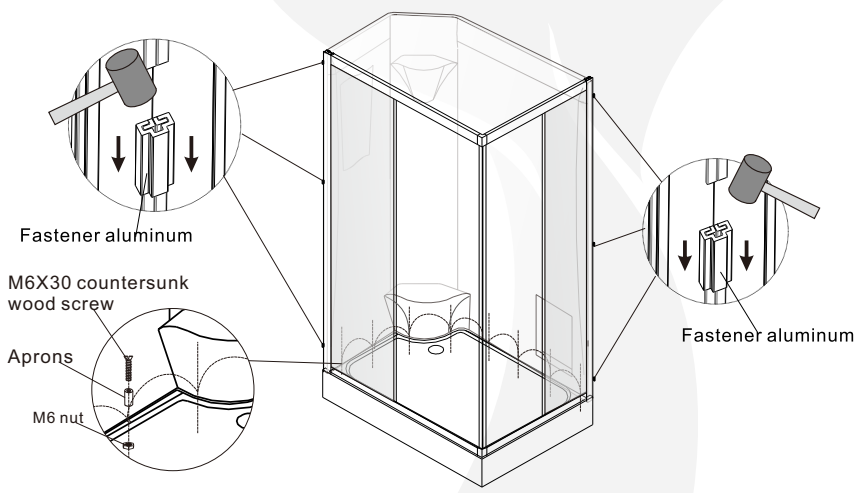
(Fig.3)



(Fig.4)

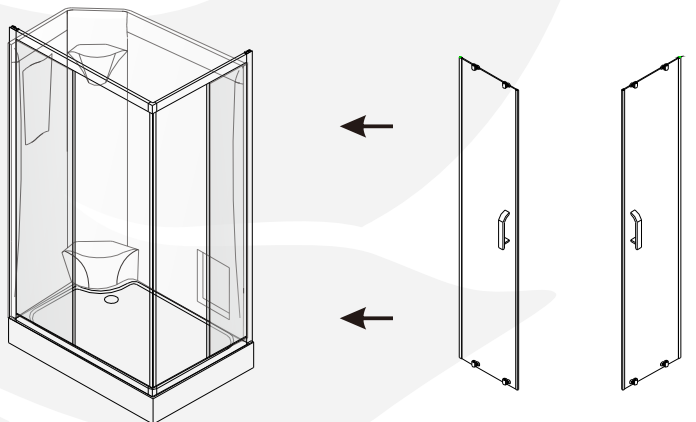
III. Install the back plate



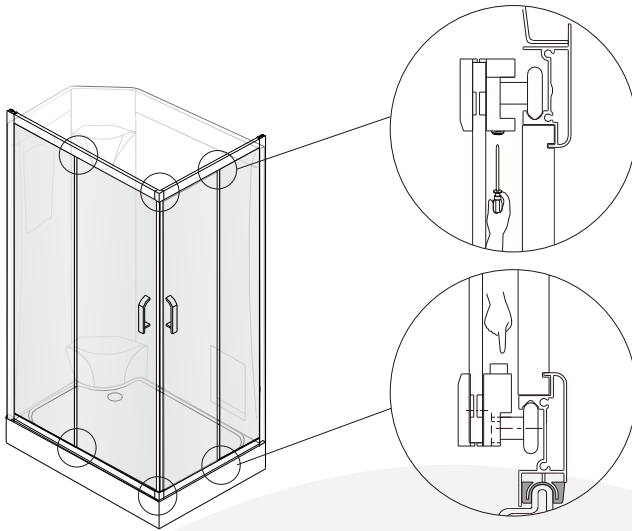


(Fig.6)

IV. installation of movable glass

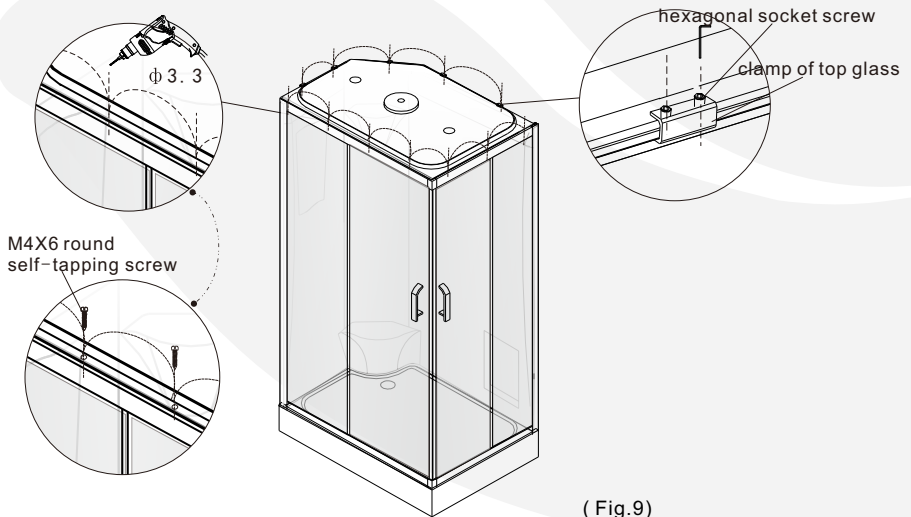


(Fig.7)



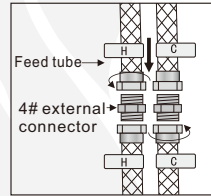
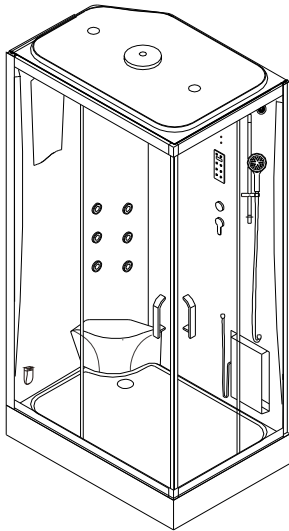
(Fig.8)

V . Top cover

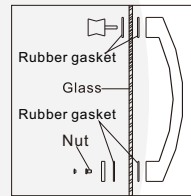


(Fig.9)

VI. Installation of parts



Connection of cold and hot water pipes



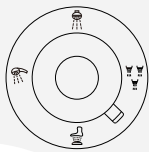
Installation handle

(Fig.10)

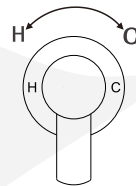
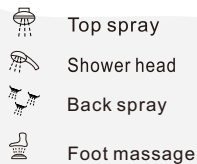
Mixer Using Intruccion

1. Hand wheel A is the function-shifting switch. The rotation of the wheel in different directions will shift the functions such as foot massage, shower, back spray and top spray etc.

2. Hand wheel B is the cold/hot water switch. Pulling up the wheel will let water in, while turning the wheel in different directions will adjust the water temperature.



A Function conversion switch



B Hot and cold water switch

H hot
C cold