

# Steam Room Installation Manual FOR U881

All set up dimensions are in Millimeters

S198E



## I.U881 Structure



N0.	Part Name	N0.	Part Name	N0.	Part Name	N0.	Part Name
1	Tray	9	Fixed Glass	17	Top shower	25	Glass Door
2	Storage Shelf	10	Backboard Glass	18	Steam generator	26	Sauna Stove
3	Acupuncture Jet	11	Sliding Glass	19	Fixed aluminum	27	Loudspeaker
4	Anti-explosion lamp	12	Door Handle	20	Sauna Room	28	Temperature probe
5	Handle Shower	13	Side aluminum	21	Seat	29	Bench
6	Lifting Pole	14	Functional Pillar	22	Switch	30	Sauna Floor
7	Exhaust Fan	15	Drainer	23	Top light		
8	Top Cover	16	Control panel	24	Ozonizer		

## IX . Malfunction And Solution

Malfunction	Reason	Solution
No power or leakage protect not work	Power wire connecting wrong	Check and connect right then connect power.
	Leakage switch without power water run into steam generator.	After water volatilization, then connect power.
	Leakage occur on power or circuit	Test power, circuit, earthing wire to debar
Press the Air button and no massage	The pipe connect to the pump is not tight and have leak air	The air button in wrong place
	Tight the pipe ,change the pipe if leak air	Adjust the button .
No Steam	Heater bar of steam generator broken	Check and replace the heater bar.
	Steam generator without water	Check water intake valve, cold/hot water valve
	water level detector broken	Water supply pipe.
	Heating protector broken or temperature detector broken	Check connected circuit and change it.
	Heating protector without connecting	Check and replace reconnect and replace wire
	Setting temperature is lower than in cabin	Increase setting temperature
No massage or hydraulic is lower	Setting time is up	Adjust setting
	Function converted without connecting or blocked	Connect it or repair it
	Water supply pipe is broken or blocked	Check and clean it
Steam box rise water	Net of cold/ hot water intake valve is blocked	Clean net and water intake valve
	Water intake valve broken	Check and replace it.
OZONE no work	Main box have problem	Replace it.
	Connect is wrong	Connect the line
	OZONE generator is wrong	Replace it
Pipe leakage water	The main computer box is wrong .	Replace the computer box
	The seal is wrong	Replace the seal
	The connection not well	Connect again with Glue
Light no working	The pipe is broken	Replace it
	Connection is wrong	Connect the line again
	The light is wrong	Replace the light
No sound from loudspeaker	The translator of voltage is wrong	Replace it
	Head of loudspeaker connect wrong	Repair it.
	Main control box broken	Replace it.
Aluminium door inactive upright	Without audio signal	Check connecting.
	Install or adjust wrong	Adjust door block
	Door frame isn't upright	Adjust the shape of door frame and make it

## Temperature control

The thermostat can control the temperature in an idea condition (Fig3).

Sauna heater can reach to a preset temperature in 30 to 60 minutes depending on the size of sauna room. Thermostat of three phases electricity can fulfill the preservation of a good even comfort table temperature in sauna room.

## Time control

The time control switch is the main control switch of sauna heater which should be switched off while leaving sauna.

## Ventilation

Good ventilation is a must for the sauna, and correctly installed ventilation creates agreeable bathing conditions, but yet still save energy. For the ventilation to be successful it is important where the ventilation openings are suited, The fresh air intake should be better situated on the wall near the bottom of the sauna heater. The diameter of air inlet must be at least 6 cm. The exhaust opening should be better situated on the wall opposite to and as far as possible from the air intake. The diameter of the exhaust opening must be twice the size of the air intake. The exhaust opening must be situated under the bottom of the upper benches.

**Note:** The upper screws must be fastened tight, the minimum distances between screw head and wall must be 3mm

Table1

Sauna Stove	Distance (mm)		
	A	C	D
JM-30	50	280	80
JM-36	80	280	100

Table2

Sauna Stove	Power KW	Sauna room				Min Distance			Cables to 240V/ph 220V/ph (mm)
		Volume (m <sup>3</sup> )		Height (cm)	Side (cm)	If 500mm over from floor guard rail	Ceiling (cm)	Floor (cm)	
		Max	Min						
JM-30	3	2	4	190	5	5	110	18	4x1.5
JM-36	3.6	3	6	190	8	8	110	18	4x2.5

Fig1C

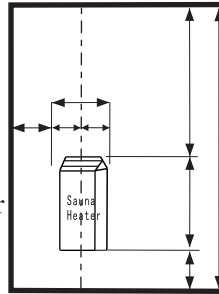
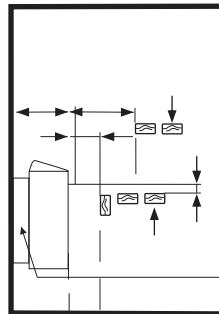


Fig1D



## II.Security Advice

- 1.The installation of electrical products, must be installed by A qualified electrician or the professional person who are Assigned by the dealer.
- 2.The power supply should match the electric parameter of the product, certified leakage protector and overloading protector are requested. Rated voltage 220V-240V/50Hz, rated current >25A, and distance among outlets  $\geq 3$ mm. The creepage switch of the product is as assistant function, so the electrical system should be connected earth credibly.
- 3.Cutting any wire on the product is strictly prohibited in the process of handling installation. Can't take apart the computer control box, computer control panel and remote control (Anything in computer control box and control panel can't be remove by user), or we will not take any responsibility for accidents caused by it.
- 4.Before using every time, check out whether the switch of power is closed and the hot and cool water faucet open.
- 5.Check whether the creepage protection of the steam room connection is right. Each time to connect the power, the plug of the creepage switch protection should be checked availably. The method is to press the test button, when the indicator lamp turn off, press the reset button, the indicator lamp turn on. If you press the test button and the indicator lamp is still on, or press the reset button and the indicator lamp is still off, the means the creepage protection don't work or creepage accident occur, in this time, you should ask the technician to repair it.
- 6.Avoiding Organic liquor like acetone, ammonia, petrol and vitriol chemical that will canker acrylic part and plated parts.

### Advice:

- 1.Pay attention to high temperature and prevent burn when using steam shower.
- 2.Person that drunk, hypertensive, asthmatic, heart disease should be careful when using steam shower.
- 3.Children should be accompanied with adult when using steam shower.
- 4.After opening sterilization system, should close the door and nobody stand in,
5. Water in massage bathtub do not up to certain level, can't open the generator, it is not allowed.
- 6.Don't forget to cut water supply and power supply after using the steam shower each time.
- 7.Insure using electricity safety, electric system should be connected earth credibly.
- 8.Can't use the product outside.

### Warning:

User must operate strictly according to safety Notice and requirements to installation and usage, otherwise we will not take any responsibility for accidents caused by wrong operation. All right of modifying, change of craft work and technical parameter that manufacturer in this instruction book reserved. Our company reserve all rights to modifying, change of craft work and technical parameter, without further notice, please forgive.

### III. Technical Parameter

#### 1. Model, Specification

Model	Specification L×W×H Unit:mm (±2%)	Function																
		Overhead shower	Moveable shower	Steam shower	Acupuncture massage	Time/temperature display	FM Radio	Thermostatic faucet	TV function	Control panel	CD receiver	Exhaust Fan	Overhead Lamp	Telephone receiving	Sauna Shower	Loud Speaker	Ozone sterilization	Remote control
U881	2200x1200x2200mm	●	●	●	●		●		●	●	●	●	●	●	●	●	●	●

The Information of this table are only reference, the company have the right to amend the technique parameter, specification, model, collocate before any advance inform, the detail please inquiry about the dealer.

#### 2. Electrical Parameter

Power Voltage	Frequency	Power		Circuit Voltage
		Steam Generator	Sauna stove	
220V	50Hz	3000W	3000W	12W

#### 3. Water Parameter

Work Hydraulic Pressure	Current Capacity	Diameter of drainer	
		Cold/hot water	Drainer
Mpa	L/min	DN 15	DN 40
0.2-0.4	12-16		

### VIII. Sauna Stove Operation ( U881 Sauna Stove)

#### Installation

Install the sauna heater onto the wall with the screw provided in the heater, according to the minimum safety distances and volumes indicated in **table 1 and Fig1**, or on the plate of the heater.

- The heater can be installed in the wall recess at the minimum height of 1900mm.
- Do not cover the wall behind the heater with materials like asbestos or plates etc., because this sort of covering protection could cause too temperature a risk of burn.
- Must use qualified materials for the walls and ceiling.

#### Guard Rails

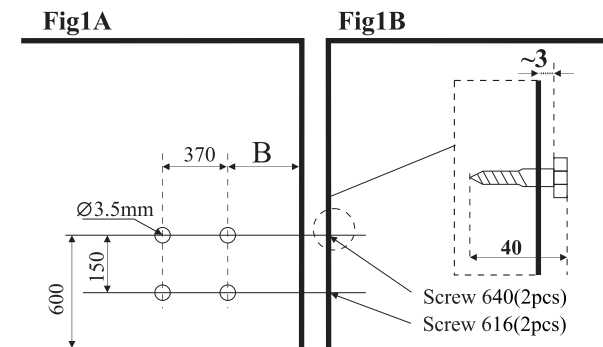
Please follow the minimum distances requirements in **fig 6** if guardrails are desired around the heater.

#### Connection of Electricity supply cable

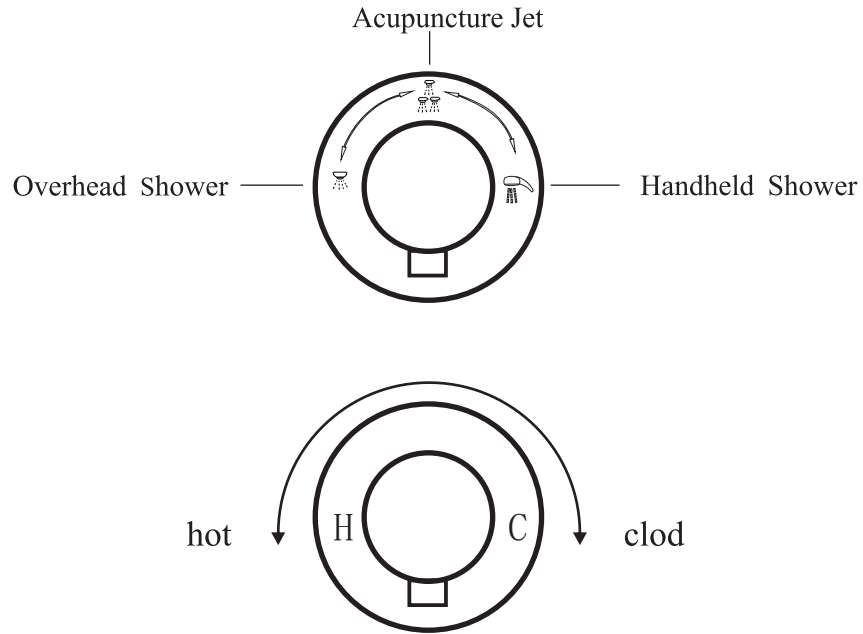
Only the qualified electrician may conduct the electricity supply connection of the heater's cables taking into consideration of current, valid electrician safety regulations. The connecting cables of the mains supply to the heater must be of REVE rubber insulated cables or at least an equivalent(see the figs). There are connection ports in the junction box in sauna heater to connect the indicating lamps outside sauna.(see connection ports of circuit diagram in **Fig 7**). The section of the connecting cables is the same as one of the heater. The electricity connection box in sauna room must be of a hermetic, splashing proof type with a 7mm diameter condensation hole. The junction box should not be more than 500mm over the floor.

#### Sauna Stones

Since the sauna stones may be dusty, we recommend that they should be rinsed before being loading into the heater container; the largest ones should be loaded at the bottom. Do not load the stones too tight so that air can easily move between the stones whereby a good even cooling can be got for the eating elements. Reload when stones broken or crumbling so that these stones can be got out of the heater before the heating elements get damaged. The diameter of the stones is usually of 3-8cm.








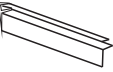


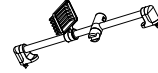
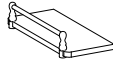

## VII. Operation Instruction Of Steam Room



Lift cold/hot valve to turn on water, turn towards red icon for hot water or blue icon for cold, Adjust water pressure by lifting up or down on valve, adjust water temperature by turning valve to left or right.

No	Name	Icon	Num	Remarks
1	M 4*16		15	
2	ST 4*16		10	
3	M4*30		4	
4	M 6*25		12	
5	ST 3*40		1	
6	ST 4*40		12	
7	KT 4*16		12	
8	KT 4*30		8	
9	KT 4*60		5	
10	M4		40	Gasket
11	M6		12	Gasket
12	M4		24	Nut
13	M6		12	Nut
14	Black washer		2	(used to the water pipe)



No	Name	Icon	Num	Remarks
15	Plastic washer		6	(used to fixing the tray and glass)
16	Spare		3	(the screws are used to the technical)
17	Spare		2	(used to the pipe which being connect the jets)
18	Spare		12	Fixed-light line
19	Ct419			
20	004 Spare		2	
21	Moisture meter		1	
22	Hourglass		1	
23	Flower Sprinkler		1	Sprinkle. Sprinkle chain.
24	A shelf		1	
25	Glass folder		2	
26	wheels		8	
27	handle		2	
28	Sauna stove		1	Sit on a stool, bucket, spoon.

**Fault code:**

Display on nixie tube	Fault Name	Cause	Description
<b>E10</b>	Overtime water intake	A. General water valve is not open; B. Failure of inlet valve control system; C. Failure in water level detection.	After the steam function is turned on ,the system will open water inlet after it detects shortage of water. If the system shows no water after 10 seconds or the tank remains unfilled after 1 minute, the system would report "E10" fault as well as turn off steam function and inlet valve.
<b>E16</b>	Temperature anomaly	A. Failure of temperature detection circuit; B. Failure of temperature probe.	When the system is turned on ,it shows "E16" fault and turn off the steam function. Cut off the power and check the temperature probe as well as related lines
<b>E18</b>	Communication Fault	A. Short circuit or open circuit in communication line; B. Fault of communication driver circuit; C. Damage of CPU I/O port.	During normal use, the board and the display box have communication problems for five successive seconds, the system shows "E18" fault and automatically turn off all external load. Please check whether the computer cables are properly connected.

**Technical parameters:**

Conditions & features				
Rated voltage	Ac220-240V	Rated frequency	50HZ	
Rated current	15A	Rated power	3000W	
Insulation resistance	>20MΩ	waterproof rating	IPX 5	
load configuration parameters				
Load Category	Rated load voltage	Rated load frequency	Rated load power	Other
Steam	Ac230V	50Hz-60Hz	3000W	——
Lighting	DC 12V	——	10W	——
Fan	DC 12V	——	5W	——
Solenoid valve	DC 12V	——	6*5W	——
Speaker	——	——	8Ω/10W	——
Ozone	DC 12V	——	5W	——

Size of control box	
Panel	L*W*H= 177 * 105 * 20 (mm)
Electric control box	L*W*H= 195 * 135 * 75 (mm)

Note 1: We follow the general requirements and enterprise product standards regarding the safety of electrical appliances for household use or similar purposes.

Manual drain:

Turn off the system, press the shuttle switch for 2 seconds to open the drainer, keep pressing the shuttle switch until all water drains.

## IV. Install U881 Sauna Room

### 9. Volume control

In the radio and Bluetooth mode, touch on the panel to enter the volume adjustment mode. Icon *dB* would flash on the LCD screen. Rotate the shuttle switch to adjust volume. Wait for 3 seconds or press the shuttle switch to exit from the volume adjustment mode.

In radio or Bluetooth mode, when the remote control is used to adjust the volume, momentarily press on the remote control to enter volume adjustment mode if steam machine is off, then press or on the remote control to increase or lower the volume; if the steam machine is operational, momentarily press on the remote control to enter the mode of steam temperature setting, press again to enter the mode of steaming duration setting, then press again to enter volume adjustment mode. The fourth press would return to the steam temperature setting. As the system enters the volume adjustment mode, *dB* would begin to flash on the LCD screen.

### \* Steps for hot cold cycle bath(S198EHC)

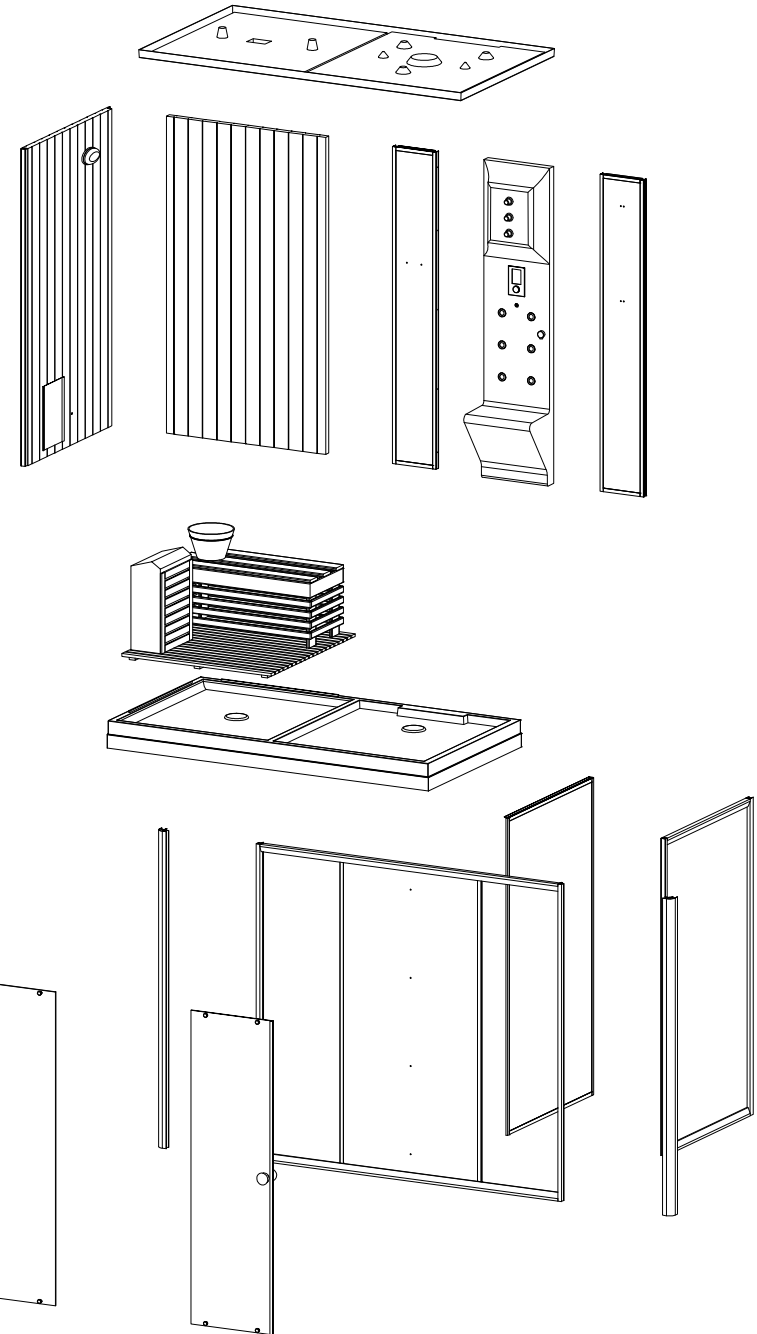
Move the cursor to and press the shuttle switch. The first time is to turn on upper spray; the second time is to change to middle spray, the third time is to change to lower spray; the fourth time is to start the circulation of upper, middle, lower spray automatically, the fifth time is to turn off the function of spray.

Use the remote controller to control the spray, press shortly, the first time is to turn on the upper spray, the second time is to change to middle spray, the third time is to lower spray, the fourth time is to start the circulation of upper, middle, lower spray automatically, the fifth time is to turn off the function of spray.

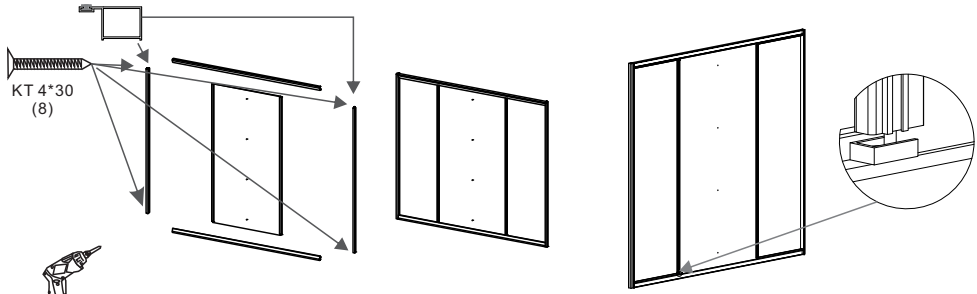
Move the cursor to , the first time press the shuttle switch for two seconds is to turn on cold water function, the LCD will show "COLD"; The second time press the shuttle switch for ten seconds is turn on the hot water function, the LCD shows "HOT". And then press the shuttle switch for ten seconds again, the hot water function will be turned off. Turn on the function of cold water, it will change hot/cold water per ten seconds. The third time press the shuttle switch for seconds, the hot water function will be turned off.

(Kindly reminder: in order not to be scalded, pls turn the suitable temperature when turn on the hot/cold water)

The function is used to the waterfall bath

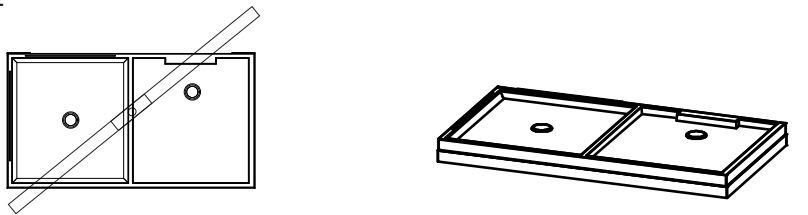


1



Electric screwdriver

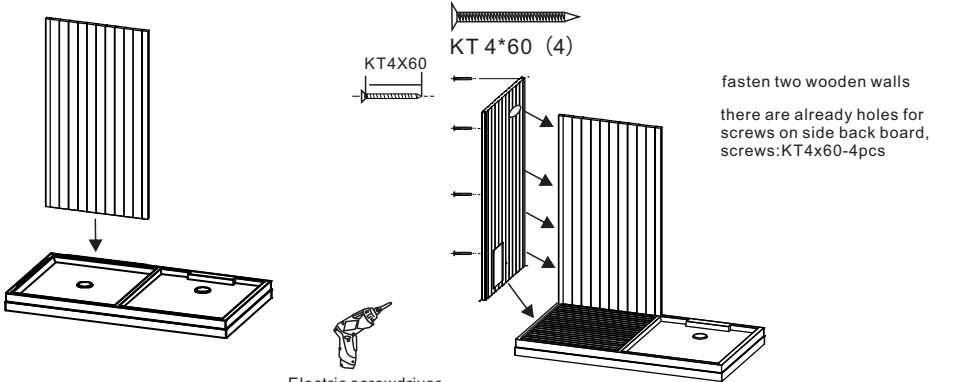
2



Spirit Level

Level the tray to the ground (adjust the feet if needed)  
make sure the drain hose is installed already and put it into the water outlet of the ground

3



Electric screwdriver

fasten two wooden walls  
there are already holes for screws on side back board, screws:KT4x60-4pcs

function. Then the LCD would show channel and the icon “Frequency”<sup>Mhz</sup> would flash. Rotate the shuttle switch to turn on incremental tuner or momentarily press and on the remote control to switch channels. The step length is 0.1MHz.

In radio mode, touch or to start automatic upward, downward search; or press on the remote control to enter channel search mode and press or on the remote control for one second, which would start automatic upward, downward search until a valid station is obtained.

After unlocking the panel and exiting from function settings, touch or . The cursor would automatically return to **Tune** and start the automatic upward, downward search until a valid station is obtained

② Station storage: when a radio station has been found (the “radio frequency” icon would flash), press the shuttle switch for 2 seconds or press on the remote control for 2 seconds to store the current radio frequency. The LCD would show the frequency and icon **Mem** would flash for two seconds; in this way, at most 10 radio frequencies can be stored on different channels.

③ Frequency range: 87.5 ~ 108.0MHz.

④ Switch of channels: When the radio is turned on and the panel is unlocked, move the cursor to **CH** press the shuttle switch, rotate the shuttle switch or momentarily ,press on the remote control to switch channels and play programs on the stored radio channel.

7. Bluetooth

Turn on the system and the power supply of Bluetooth module. Bluetooth module would connect to cellphone 5 seconds later; Bluetooth module would break the connection and refuse connection request when the system is turned off.

Move the cursor to **Music** and press the shuttle switch or momentarily press on the remote control to turn on or turn off the Bluetooth function. After Bluetooth is enabled, icon would flash for no connection and would be dynamically displayed for successful connection. The screen would show "OFF" when the music halts and "On" when the music goes on.





After turning on Bluetooth player, momentarily press on the panel to switch to the next song, momentarily press on the panel to switch to the previous song. When using remote control to switch songs, you first need to press on the remote control to song switch mode, then press to switch to the next song and for the previous song.


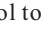



8. Phone function

After turning on the system and completing Bluetooth connection, the cursor would automatically move to “Telephone” icon, the icon would light up and **Telephone** would flash when a phone call comes in. Press the shuttle switch to answer the phone, the icon would be dynamically displayed. Then press the shuttle switch to hang up the phone and the multimedia player would automatically return to the original state.

During the access to or reception of phone calls, the cursor can only move between non-multimedia functions and phone. After the cursor moves to a non-telephone icon, it would automatically return to the phone icon for no operation in five seconds. Multimedia control keys on the remote control will be disabled during ringing and reception of calls. When a phone call comes in, touch to reject the call.




to **Temp** , press the shuttle switch or momentarily press  on remote control to enter the temperature setting mode. As the icon °C flashes, rotate the shuttle switch to adjust the temperature or press  on the remote control to raise the temperature or  to lower the temperature. Temperature setting range: 25 ~ 60 °C.



④ setting of duration: After turning on the steam machine, move the cursor to **Timing** , press the shuttle switch or momentarily press  on remote control to enter the temperature setting mode, then momentarily press  once again to enter duration setting mode. As the icon *Min* flashes, rotate the shuttle switch to adjust the time or press  on the remote control to increase the time or  to decrease the time. Timing range: 5 ~ 50min.

⑤. Settings of temperature and time would automatically take effect in 3 seconds, the system would exit the temperature and time setting mode.

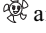


⑥ Drainage: 5 minutes after the shutdown of system, the steam tank would drain water for 3 minutes.

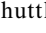


## 2. Spray

Move the cursor to **Spray**  and press the shuttle switch. The first press would turn on upper spray; the second press--switch to middle spray; the third press--switch to lower spray; the fourth press would start the automatic cycle of upper, middle and lower spray; the fifth press--switch to overhead spray. There is a 1-second delay before the overhead spray starts; the sixth press would turn off the spray. The spray type would change every 5 seconds in the cyclical mode.


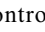

In the case that the remote control is used to control the spray, momentarily press  on the remote control. The first press would turn on upper spray; the second press--switch to middle spray; the third press--switch to lower spray; the fourth press would start the automatic cycle of upper, middle and lower spray; the fifth press would turn off the spray. When the overhead spray is off, press  on the remote control to open overhead spray (other sprays are off). Then press the button again to turn off overhead spray.

## 3 Exhaust fan function

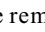


Move the cursor to **Fan**  and press the shuttle switch or momentarily press  on the remote control to turn on or turn off the exhaust fan. Icon  would light up after startup.



4. Move the cursor to **Light**  and press the shuttle switch or momentarily press  on the remote control to turn on or turn off the lights. Icon  would light up after startup.

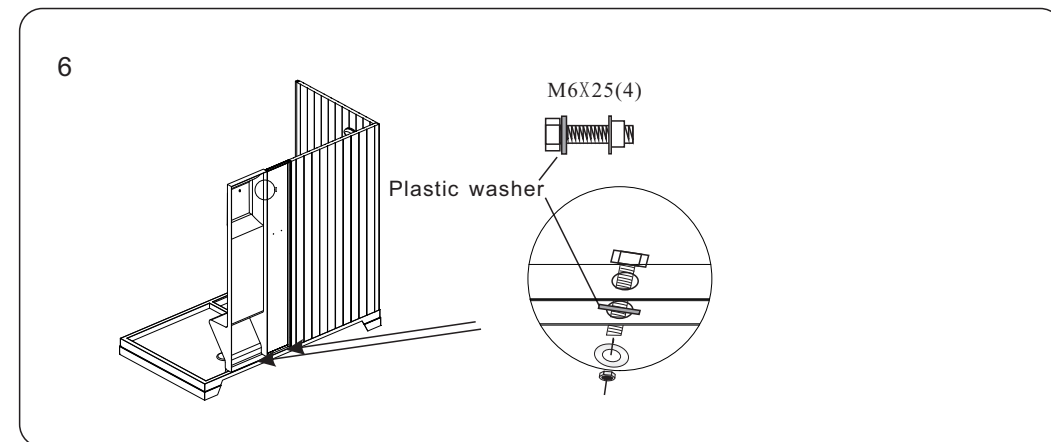
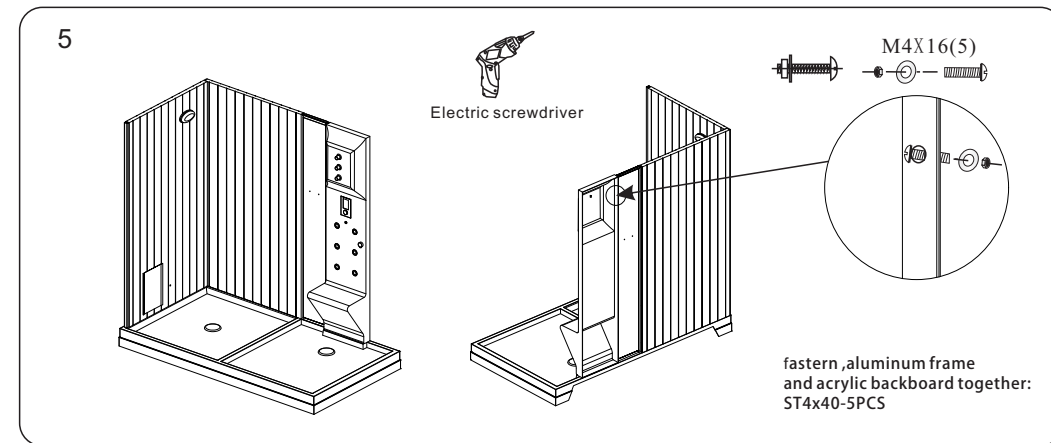
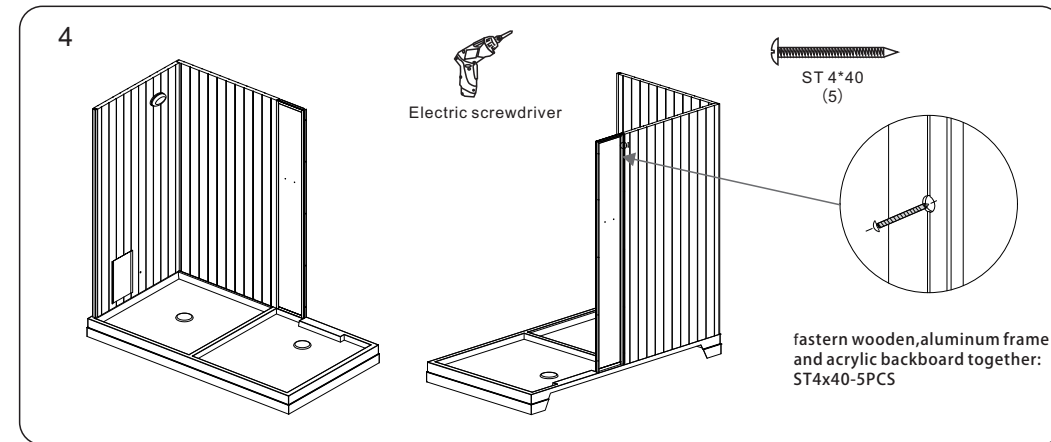
## 5. Ozone disinfection

When steam machine, spray, fan and multimedia are off, move the cursor to **Sterilizer**  and press the shuttle switch or momentarily press  on the remote control to turn on or turn off the ozone. After startup, icon  would light up and all other functions would be disabled except lighting function. Emission of ozone would last 10 minutes, then the exhaust fan would automatically start and operate for 15 minutes.

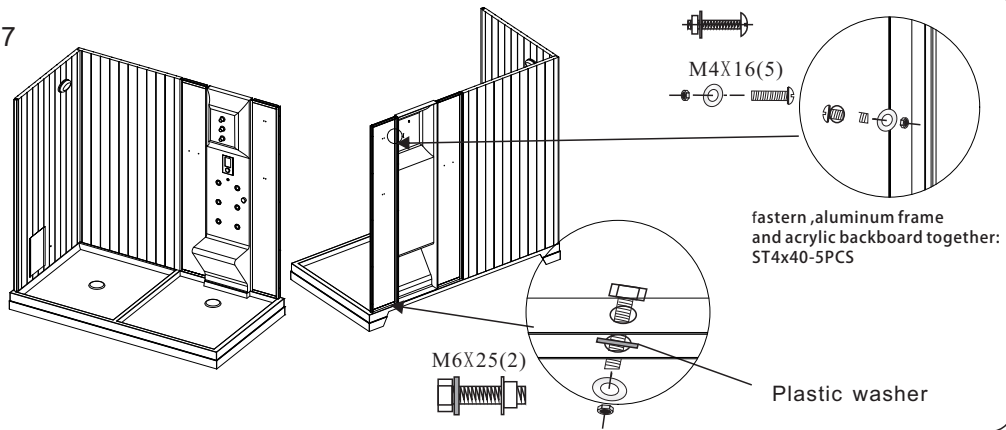
## 6. Radio Function

Move the cursor to **Radio**  and press the shuttle switch or momentarily press  on the remote control to turn on or turn off the radio function. Icon  would light up after startup.

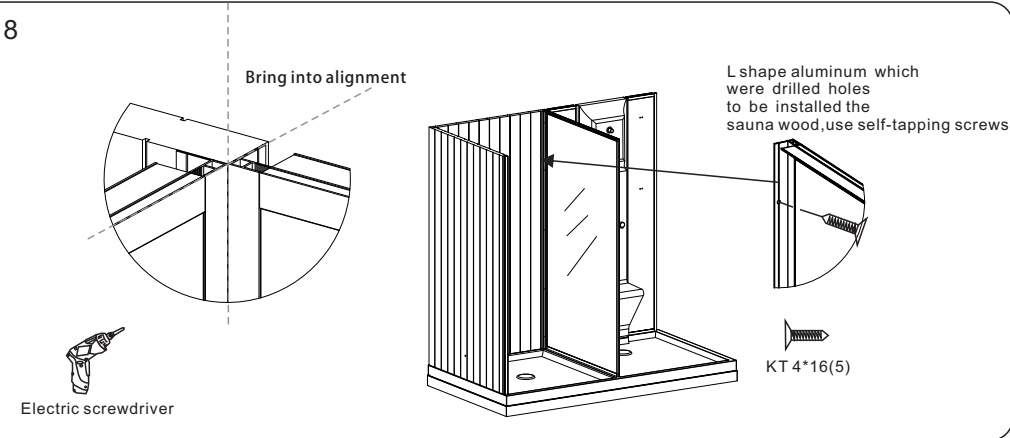
① Channel search: After turning on the radio function, move the cursor to **Tune**  and press the shuttle switch or press  on the remote control to turn on the channel search



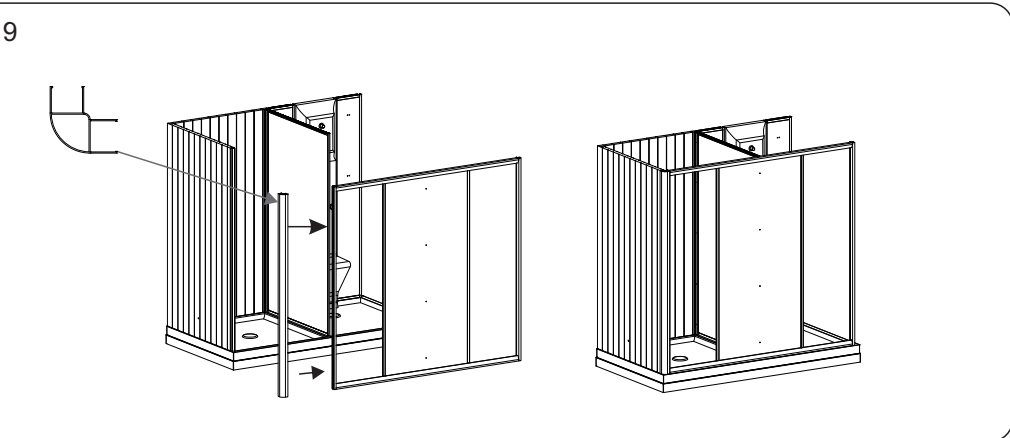
7



8



9



**I.notes:**

- 1.this panel is equipped with capacitive touch buttons,make sure to advod direct Contact with shower head while selecting installation loaction of the panel.Otherwise it would lead to maloperation or trigger the panel lock.
- 2.all function keys are located at the most conveniet locations.
- 3.the panel would give a sound once being energized.

**II.function introduction**

- |                   |                        |                 |              |
|-------------------|------------------------|-----------------|--------------|
| 1、 spray massage; | 2、 steaming;           | 3、 exhaust fan; | 4、 FM;       |
| 5、 lighting;      | 6、 ozone disinfection; | 7、 bluetooth;   | 8、 telephone |

(1) start up/shut down and unlocking of panel

①、 startup

Touch on the panel or press on the remote control to turn on the system.The back light of shuttle switch and LCD screen would light up;the screen would show currenct temperature.The system would automatically set a countdown of one hour and turn on the overhead light.

②、 shutdown

When the system is operational and unlocked,touch on the panel or on the remote control to turn off the system.It would also stop functioning as the countdown ends

③、 Locking / unlocking of the panel

When the system is operational.The panel would be locked for no operation in 30 seconds and the icon on the LCD sreen would light up,press shuttle switch to unlock the panel. The icon would disappear and all keys on the panel would become operable.

(2) Instruction for use

After stratup the default location of cursor would be **Steam** .Rotate the shuttle switch to move the cursor.After the cursor moves to a function,press the shuttle switch or the function keys on the remote control to quickly turn on and turn off the function.The icons would light up after functions are turned on and vanish after functions are turned off.

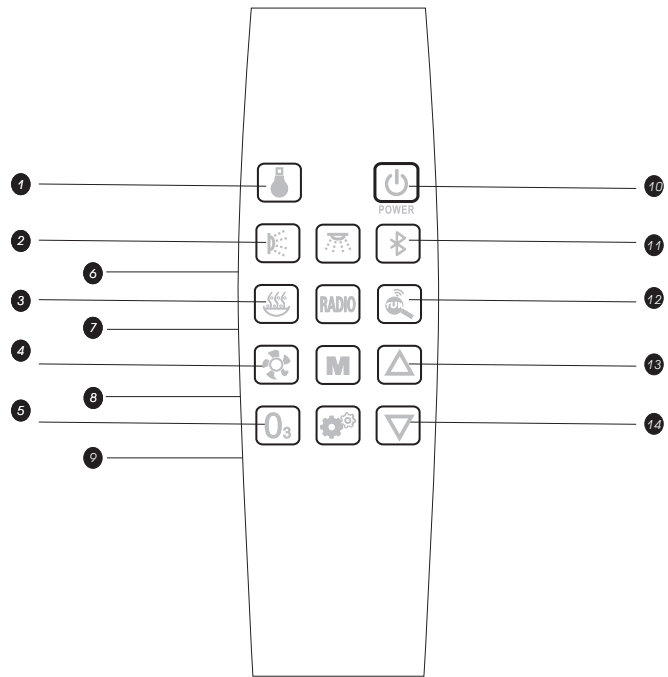
(3) operating instruction

1. Setting of steam function, temperature and duration

①. Move the cursor to **Steam** ,press the shuttle switch or momentarily press on remote control to start the steam bath function. After startup, the icon would light up. would flash for shortage of water. Press the shuttle switch or on remote control again to turn off the steam function. After the steam function is turned on, the steam machine would shut down automatically as the steam temperature reaches the set value and reopens as the steam temperature falls below the set value.

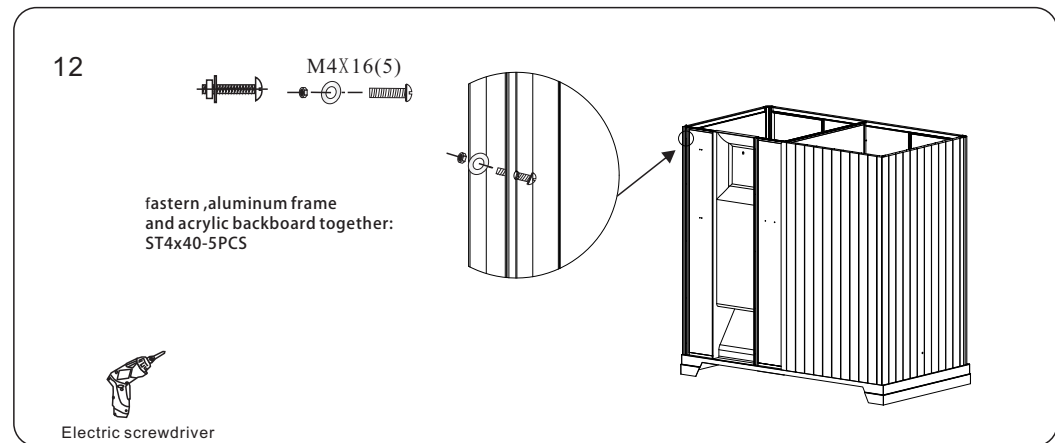
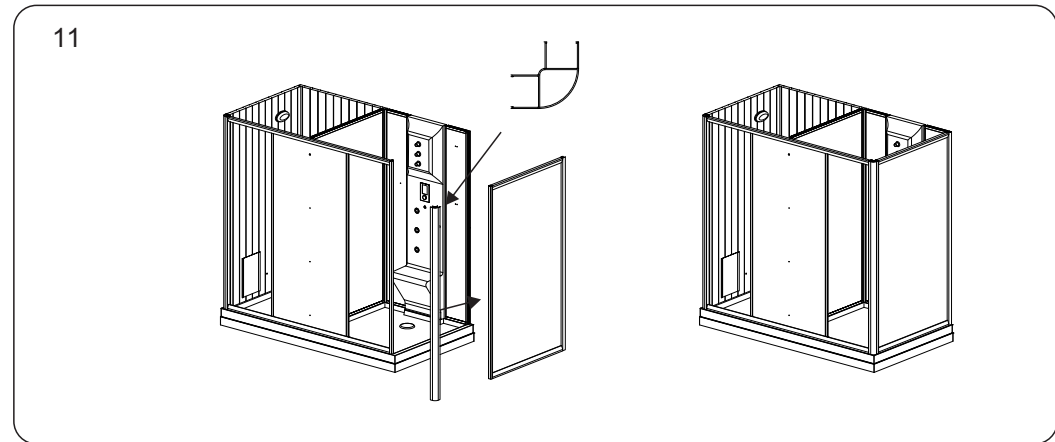
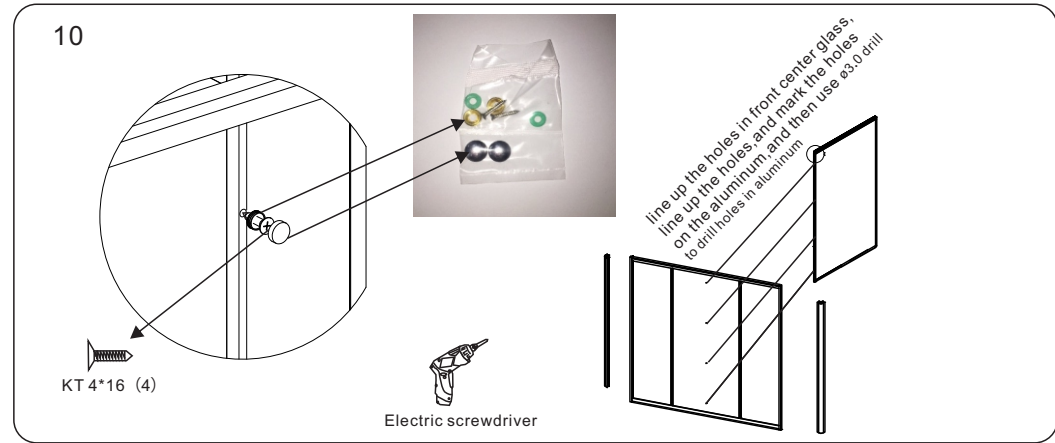
②. The default steam temperature is 45 °C and the default duration is 45min.

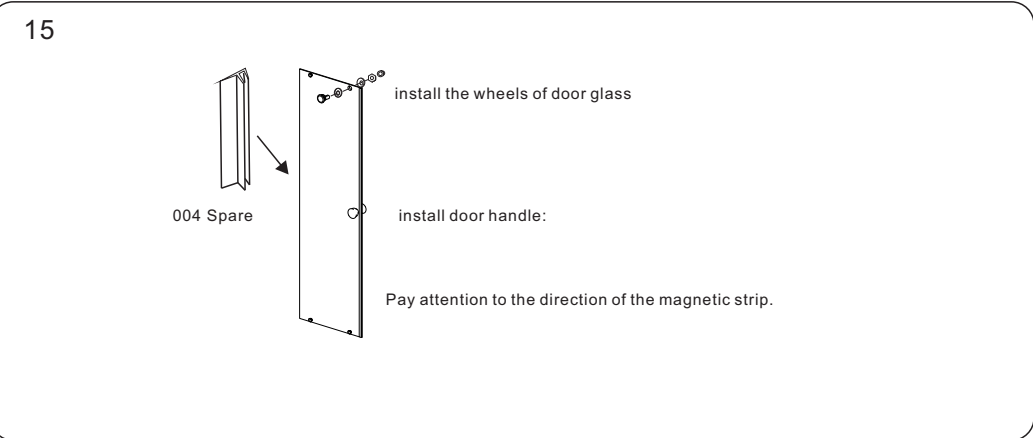
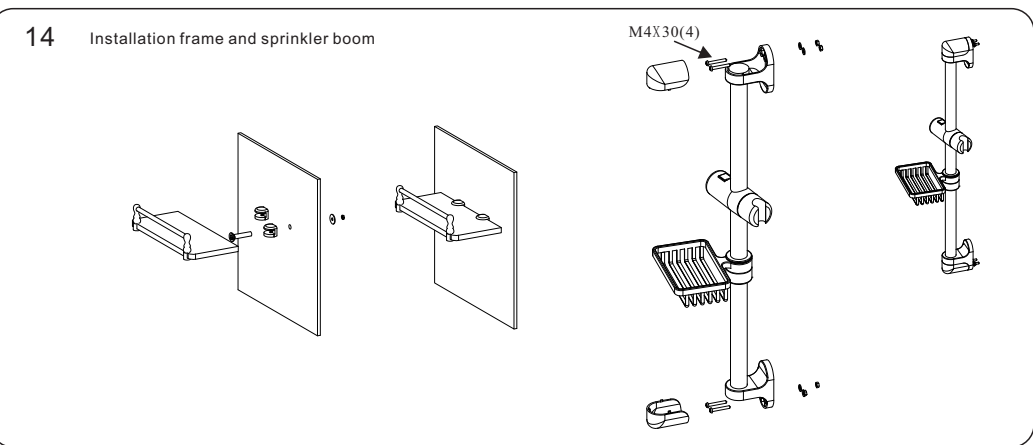
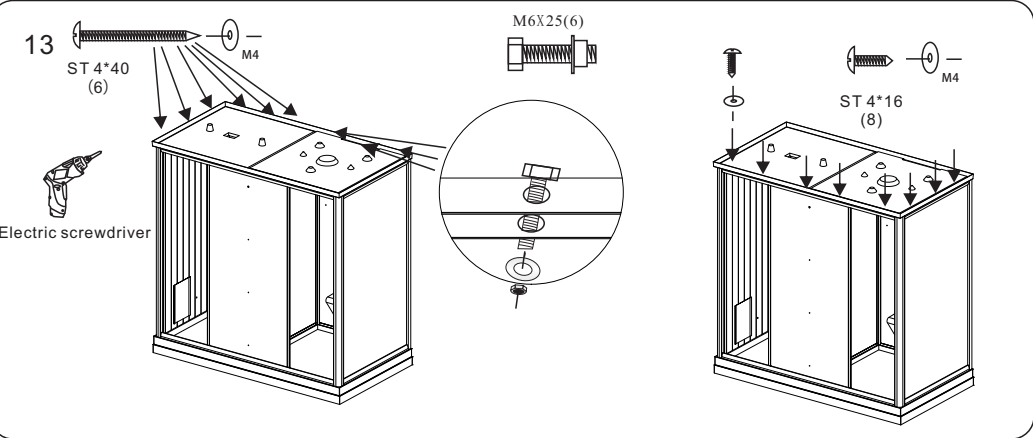
③ Setting of steam bath temperature: After turning on the steam machine, move the cursor



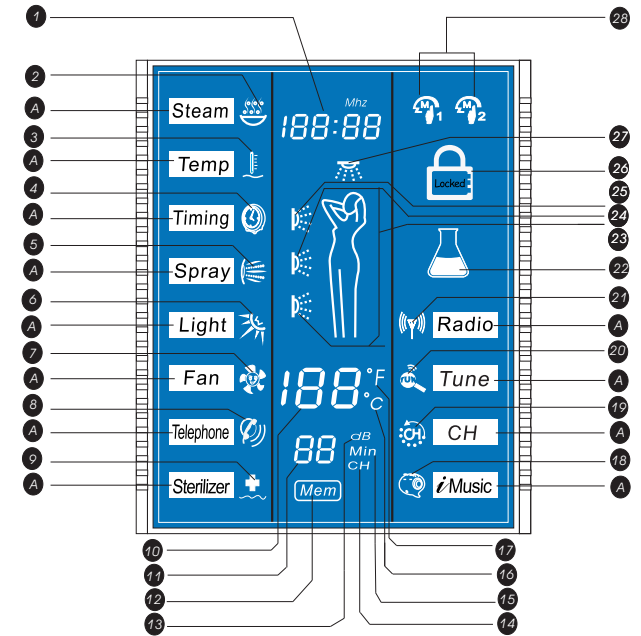
- ① -----Lighting function key
- ② -----Side spray function key
- ③ -----Steam function key
- ④ -----Fan function key
- ⑤ -----Ozone function key
- ⑥ -----Overhead spray function key
- ⑦ -----Radion function key
- ⑧ -----Channel storage function key
- ⑨ -----Setting function key
- ⑩ -----Switch function key
- ⑪ -----Bluetooth function key
- ⑫ -----Turning/song switch function key
- ⑬ -----Tune rising function key
- ⑭ -----Tune falling function key

⑥ (EHC) This function is cancelled





LED

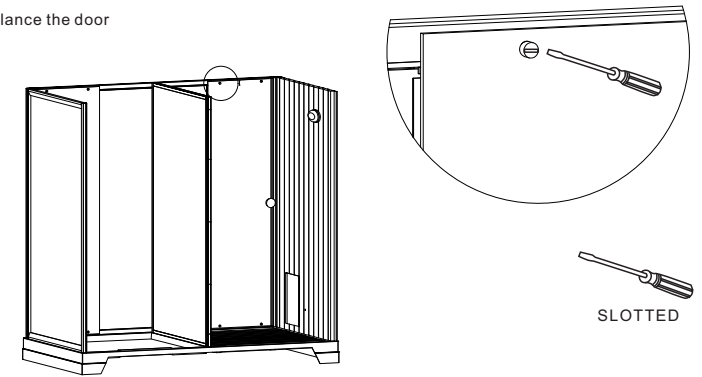


- |   |                                    |
|---|------------------------------------|
| 1 ----Radio frequency indication        | 28 ----2 modes of shortcut key     |
| 2 ----Steam                             | 27 ----Overhead spray              |
| 3 ----Steam temperature setting         | 26 ----Keyboard lock               |
| 4 ----Steaming time setting             | 25 ----Upper spray                 |
| 5 ----Spray                             | 24 ----Middle spray                |
| 6 ----Lighting                          | 23 ----Lower spray                 |
| 7 ----Fan                               | 22 ----Cleaning                    |
| 8 ----Telephone answer                  | 21 ----FM                          |
| 9 ----Sterilization                     | 20 ----Channel search              |
| 10 ----Temperature indication           | 19 ----Turning                     |
| 11 ----Display of volume,minute,channel | 18 ----Bluetooth                   |
| 12 ----Stored channel indication        | 17 ----Fahrenheit indication(none) |
| 13 ----Volume indication                | 16 ----Celsius indication          |
| 14 ----Cursor                           | 15 ----Minute indication           |
|   | 14 ----Channel indication          |

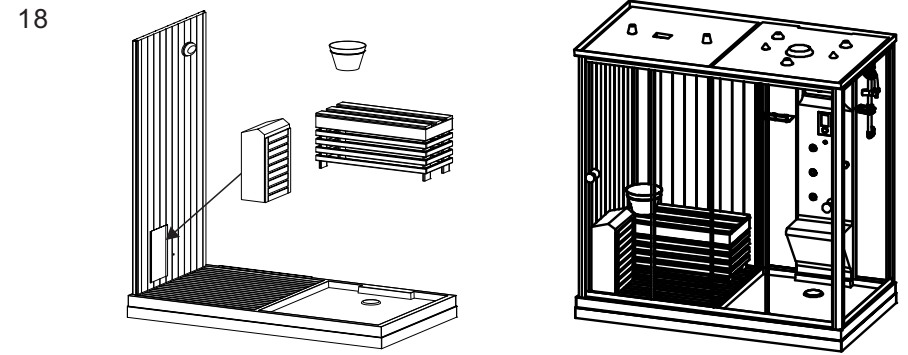
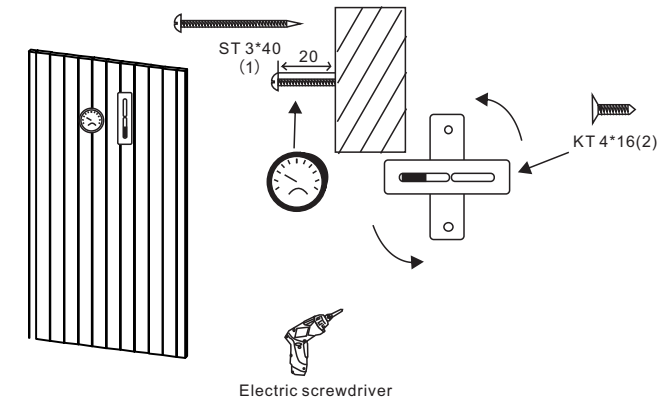


- ①-----LCD screen
- ②-----Power switch
- ③-----Shuttle switch
- ④-----Volume control
- ⑤-----Last song
- ⑥-----Next song

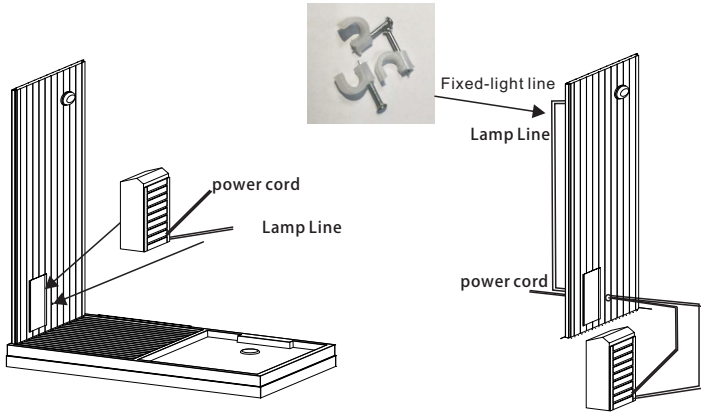
**16** Install Glass Door  
Adjust the pulley to balance the door



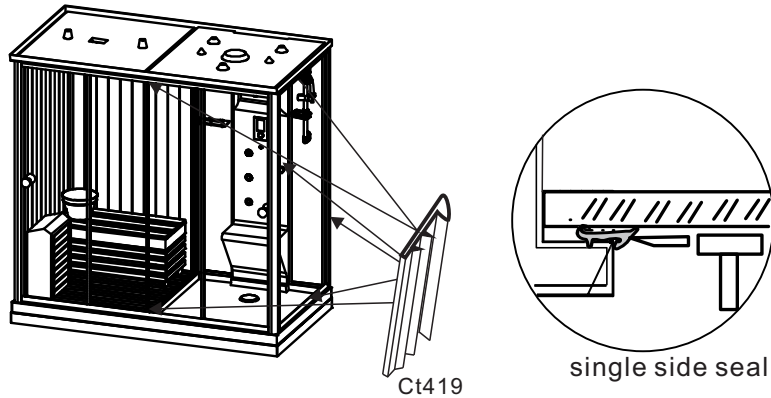
**17**  
Install the accessory in place  
you think is appropriate



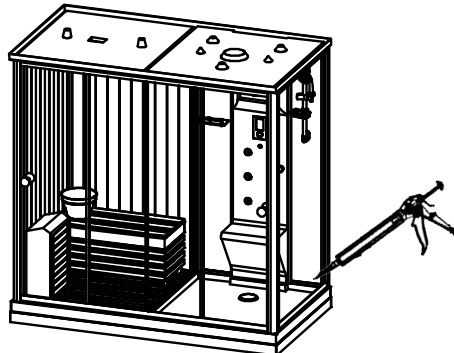
19



20



21

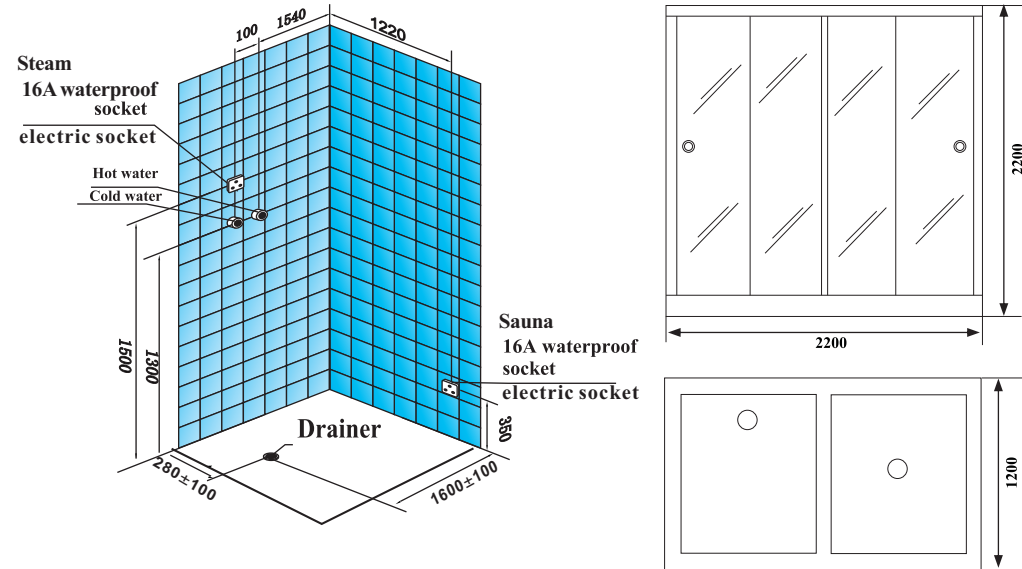


\* Make some silicone to prevent leaking under the high water pressure .

## Steam Room Installation

**Mode: WG-U881(R)**

**Size: 2200X1200X2200**



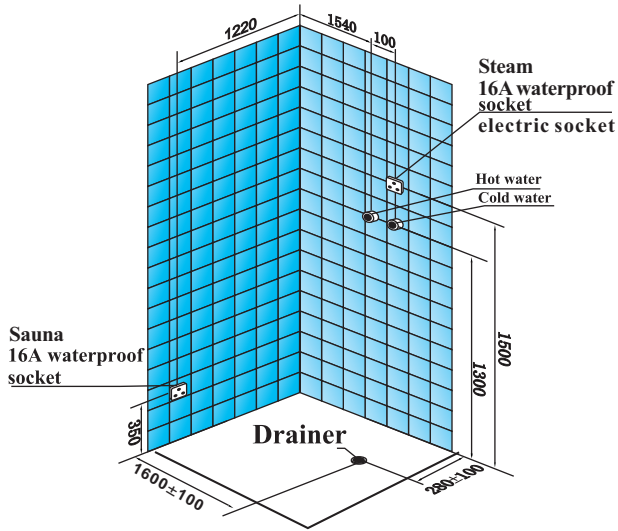
1. Water supply: One piece of galvanized tube shall be provided for hot and cold water respectively 1000mm high from the ground and the DN15 shut off valve shall be mounted on the 0.2mPa<pressure<0.4mPa.
2. Power supply: Steam Generator: 3KW/240V/50HZ, Sauna Stove: 3KW/240V/50 single phase and three wire system, BV=3X4mm<sup>2</sup> copper wire insulation, 1500mm high from the ground, install 16A waterproof socket, connecting the steam generator power line and sauna stove line, the earth terminal should be availability and connect the yellow and blue power line.
3. Water drainage: the floor drainage hole should be >DN50, as the installation draw position to in stall, can't dead against the drainer mouth of tray or bathtub.



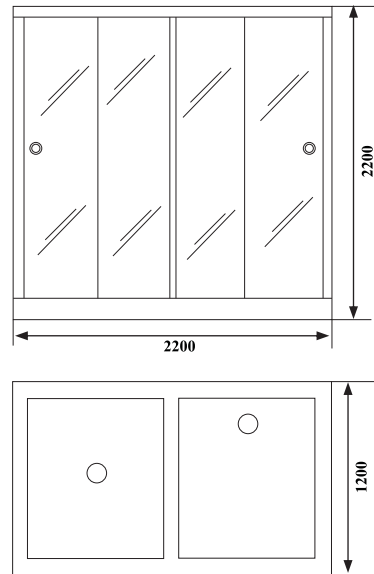
# Steam Room Installation

Model : WG-U881(L)

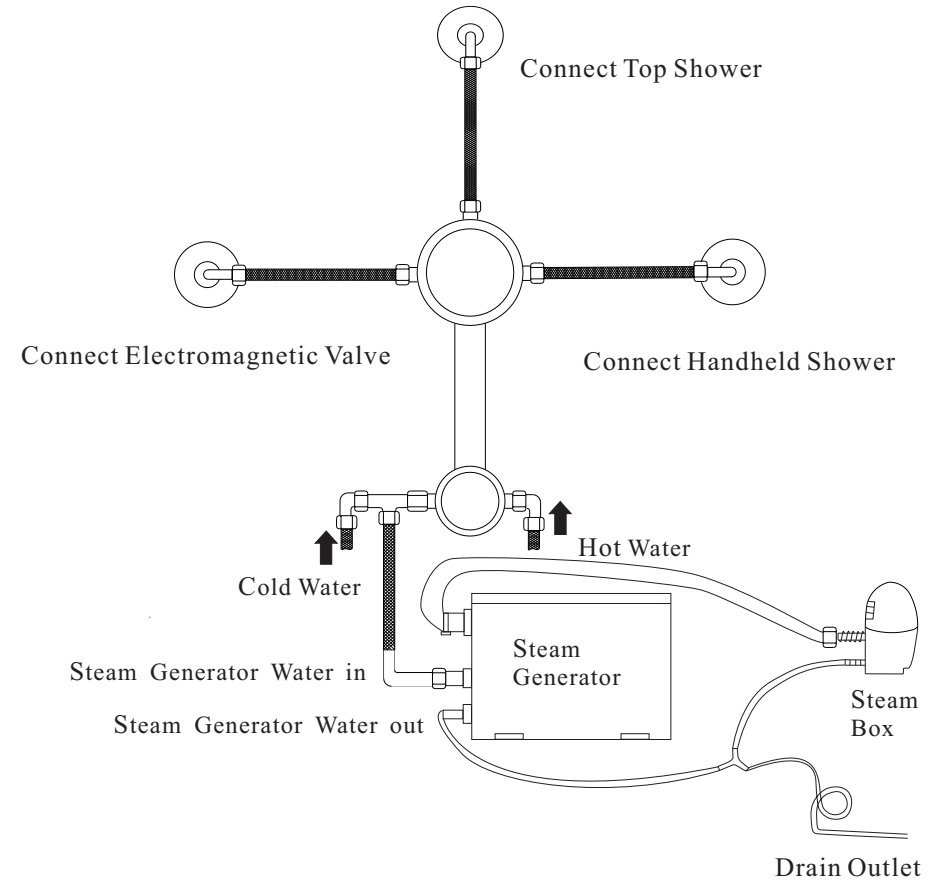
Size : 2200X1200X2200



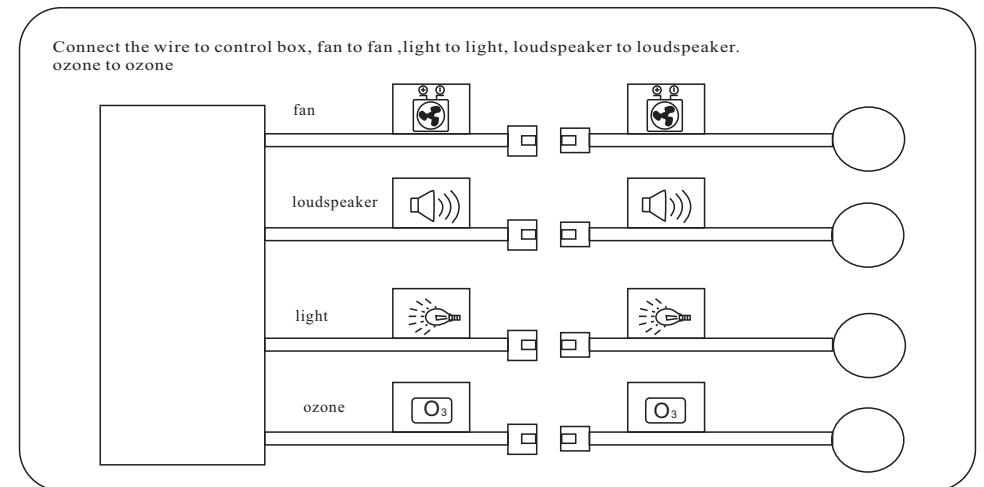
Three-dimensional installation diagram



Plane diagram



1. Water supply: One piece of galvanized tube shall be provided for hot and cold water respectively 1000mm high from the ground and the DN15 shut off valve shall be mounted on the 0.2mPa<pressure<0.4mPa.
2. Power supply: Steam Generator: 3KW/240V/50HZ, Sauna Stove: 3KW/240V/50 single phase and three wire system, BV=3X4mm<sup>2</sup> copper wire insulation, 1500mm high from the ground, install 16A waterproof socket, connecting the steam generator power line and sauna stove line, the earth terminal should be availability and connect the yellow and blue power line.
3. Water drainage: the floor drainage hole should be >DN50, as the installation draw position to in stall, can't dead against the drainer mouth of tray or bathtub.



### **1.Install the tray**

open the package, move the tray to the usage position, adjust the foot screw, Using the spirit level to measure, adjust the tray to be at a level. Then tweaking the nut tight, every ground foot must close the ground, can't hang in the air.

### **2.Install the first and second wood board**

Use the wood board Aim at the corresponding holes, then use the screws to lock it tight.

### **3.Install the functional pillar and backboard glass**

Use the backboard glass Aim at the corresponding holes of functional pillar , then use the screws to lock it tight.

### **4.Install the mid-glass**

Use the mid-glass Aim at the corresponding holes of the frontal glass, use the screws to lock it tight. Then take it to the tray. Finally install the transom.

### **5.Install the top board**

Take the top cover to aim at the backboard corresponding holes, then use the screws to lock it tight. Finally install the glass door.

### **6.Install the cabin of sauna room**

01. Install the wood floor, notice the direction.
02. Take the bench into cabin, the use screws to lock it.
03. Install the sauna stove to the appoint position. Notice the power line position.
04. Put the sandglass timer and thermometer and hygrometer to the appoint position, then install the expose proof light, finally put the cask and ladle on the bench.
05. Install the glass door.

## **V. Electricity Supply And Water Supply Installation:**

**01.**Please strictly accord the right installation of the model to install the product, and should be installed by the qualified electrician, must insure the water and electrical parameters are qualified and the connection grounding wire is effective, otherwise we will not take any responsibility for accidents caused by wrong operation.

**02.**Get through cold, hot water supply, person face to the unit; hose for cold water connect to the right side of converted valve, and the left side for hot water. And the blue hose is the cold hose, and the red hose if the hot hose. For operation convenient, install cold and hot water head valve in where you would like.

**03.**Connect other hoses for water according to the instruction, cutting hose or connecting hose in confusion is not allowed.

**04.**The head of wire connect computer control box to other function part must be connected firmly, and avoid water leakage from hose connection. Connect the head according to the instruction to avoid break electrical part by wrong connecting.

**05.**Connect power supply by fixed wiring, The circuit should be independent and qualified to install the 16A waterproof electrical socket, connect the steam generator socket; the wire of BV=3X4mm (null wire and fire wire can open and close at the same time) can't share a power supply with other electrical appliance. Power wires using PVC insulated and copper Cables, using cover for the wire get through the wall.

**Notice:** Before the electrician connect the power wire, the electrician must check user supply power wire and make sure the grounding wire is reliable, and otherwise must make the grounding wire to connect earth, then connect the socket to the electrical appliance.