

FEINI SERIES STEAM CHAMBERS

USER'S MANUAL

B609 (E-BF600B)

FEINI SERIES STEAM CHAMBERS

Statement

- 1、 The company reserves the right to modify the appearance and parts of the product without prior notice. For dimensions and colors of the products, the physical products prevail.
- 2、 In case of maintenance, only authorized maintenance personnel by the manufacturer or agent can do this, otherwise, products will no longer enjoy guaranty, and the company will not be responsible for any loss triggered thereby.
- 3、 This manual is only for reference. Any change or update in design and description will be done without prior notice.(You are expected to forgive us if there is any error, missing or translation error in the manual)

Contents





- Preface 1
- Safety Caution 1
- installation and use caution 1
- Structural illustration of B609(R)\B609A(R) 2
- Water and supply installation of B609(R)\B609A(R) 3
- Cross sectional illustration of aluminum materials 4
- Cross sectional illustration of adhesive tape 4
- Recommendation tool (user-owned) 4
- Spare screws 4
- Installation of screws 5
- Rod usage 13
- Notes for use of foldable tool 13
- Introduction to Function 14
- The control system includes 14
- Characteristics of the controller 14
- Devices controlled by control system 14
- Schematic diagram for control panel 15
- Remote controller keys 16
- Operation Methods 16
- Smart self-troubleshooting and alarm 21

Preface

Thank you for your selection the massage bathtub series of our company. This manual is applicable to all massag product. For the sack of your benefit, please carefully read the manual before installing and using the product, and notice the following instructions.

1. We will provide best after-sale-services for you . If you require other services, please directly contact the distributors or our company.
2. Our warrant service doesn't include the damages caused by incorrect installation by yourself or operation which is not described in the User's Manual.
3. It is strongly suggested to use the original parts of our company in order to enable the product to achieve the best performance.

Safety Caution

-  Danger: This symbol is used to remind users that the product bears dangerous voltage!
-  Alarm: This symbol is used to remind users that the product is attached with important operation and maintenance description!

1. The electric installation and trial run shall be carried out by qualified electricians or professionalists assigned by our dealers.
2. The electrical sources connected to the product must comply with national safety standards and the voltage as well as frequency of the power shall be compatible with this product (see Electric Parameter in Page .6). The facility must be installed along with protection circuitries such as leak electricity protection switch, over current and overload fuse etc. and the normal operation of these units shall be ensured.
3. Upon installation and application, it is strictly prohibited to cut off any lead connection of the product and to take apart computerized master controller and control panel (the computerized master controller and control panel contain no parts dismountable by users themselves). Our company shall assume no responsibility for any fault, leak electricity or electric shock accident caused by the foresaid incorrect actions.
4. Organic solvents and strong acidic chemical substances like acetone, ammonia and gasoline will dissolve the acryl parts and plated pieces. so, please keep away the product from contacting the similar substances in the course of installation.
5. For storage, please do not place the upside down or slant the product and no sundries shall be piled up on it. Please do not put it together with methanoic acid and/or formaldehyde organic solvents. Handle gently and make it free from heavy burden, fierce shake and hit.
6. When laying up the product, please maintain a ventilated, dry condition free of corrosive gas and cut off power and water supply.
7. Non-professional shall not carry out the installation. In case of power line damage or quality issue of the product, please ask professionalist for help.
8. Trip test of the leak electricity protector shall be carried out prior to each application.
9. The earthwire of the controller shall be securely connected to the well grounded power supply circuit. No extension of the power cord shall be done, and a copper core with a diameter of no less than 1mm² shall be used for secure grounding of the motor.
10. Children shall use the product only under the guardian of their parents and older families.

installation and use caution

1. Before installing this product, make sure the water supply, power supply and drain pipe have been prepared in the installation position. The water supply shall apply G1/2" hose screw connection for cool and warm water. It is suggested to add the triangle repairing valve to make it convenient for future maintaince .The power supply shall be AC220V, 50Hz/60Hz. The power of the ceiling lamp: 12W. The diameter of the drainpipe shall be 1 1/4" (Φ32mm). Make sure it can be connected with the drain pipe .

2. All the accessories have been tested before leaving the factory. Before unpack the package, please check if the model, specification and configuration are accordant with your order.

3. After unpacked the package, please carefully check if the parts are complete, if they are damaged in transportation. If you have any other problems, please contact the distributor or our company.

4. The floor or the surface will load the total weight of the bathtub + water + the user, make sure that the installation position is solid enough.

5. Users have to use power cords in compliance with GB 3 x 2.5mm or those with bigger diameter; the socket for the powersupply of the controller shall be securely installed, in compliance with the national standard(GB)of 1 6A or above.

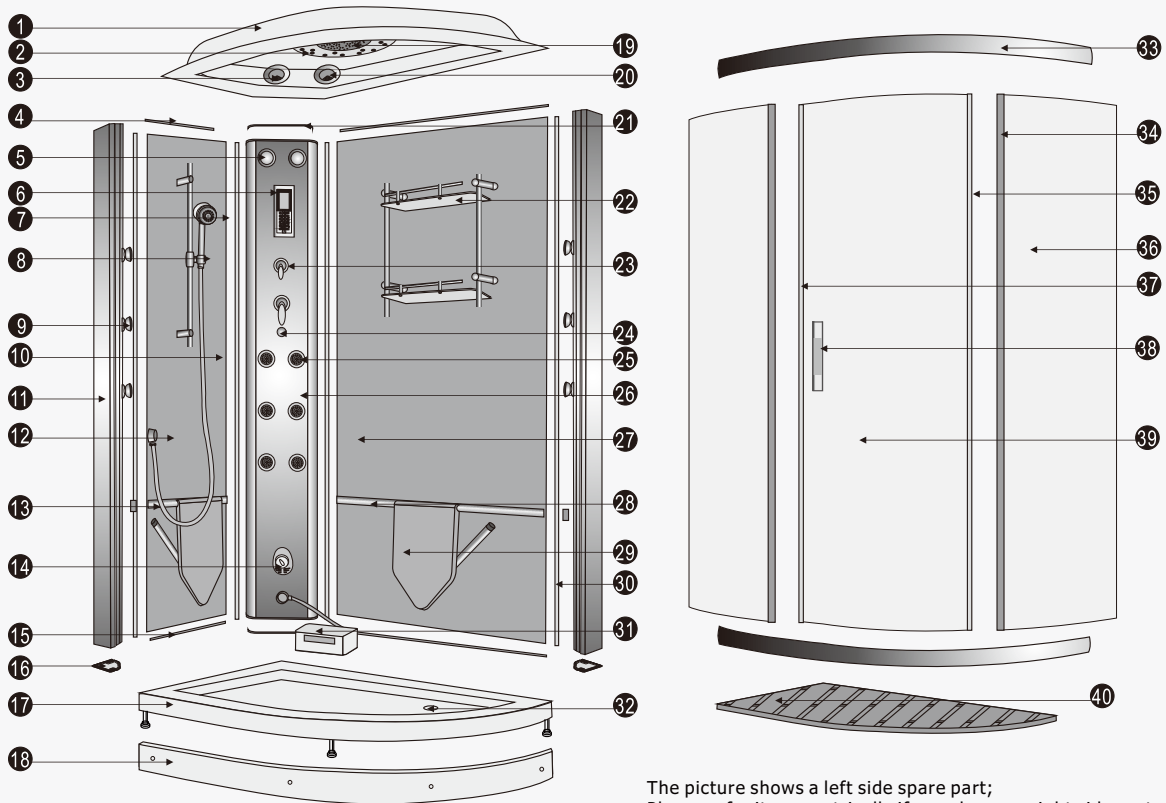
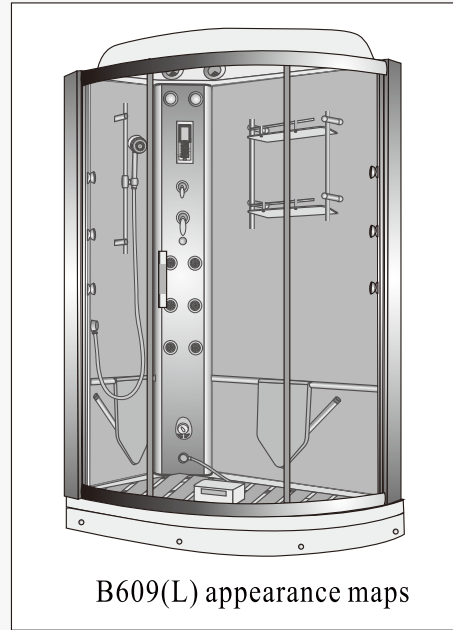
6. Users have to purchase air switches or creepage switches in compliance with the national standard(GB)of 30A or above, and the creepage switch of this controller serves only support.

7. There are no recoverable components inside the controller. so avoid trying to repairing them by yourself. The high voltageinside the controller may lead to danger, and maintenance and adjustment shall be done only by professionals.

The company is not held responsible for any results caused by users' violation of the above—mentioned operation specifications.

Structural illustration of B609(L)\B609A(L)

- | | |
|-------------------------------------------|--------------------------------------------------|
| ① Top cover | ②① FN001 aluminum rubber pad |
| ② Starry lights | ②② Dual-layer rack |
| ③ Fan | ②③ Single handle |
| ④ 305B diamond waterproof tape | ②④ Cleaning cover |
| ⑤ BF600 color light | ②⑤ Cow-eye shower head |
| ⑥ Control panel | ②⑥ FN001 aluminum material |
| ⑦ Hand Shower | ②⑦ Coated Glass (Note : Ex B609(L) band network) |
| ⑧ 71 copper lifting support | ②⑧ Stainless steel beam |
| ⑨ Big eight-hole shower head | ②⑨ Foldable desk |
| ⑩ Silver pipe | ②⑩ Single-side adhesive tape |
| ⑪ FN002 aluminum materials | ②⑪ Feet massaging device |
| ⑫ Shower head water supply connection bas | ②⑫ Draining device |
| ⑬ Watertight beam | ②⑬ FN004A aluminum material |
| ⑭ Medical bathing box | ②⑭ FN006 aluminum material |
| ⑮ 307 waterproof adhesive tape | ②⑮ 304C waterproof adhesive tape |
| ⑯ FN002 aluminum rubber pad | ②⑯ Fixed glass door |
| ⑰ Bottom basin | ②⑰ 304D waterproof adhesive tape |
| ⑱ Apron plate | ②⑱ Stainless steel handle |
| ⑲ D290 top spout | ②⑲ Movavle glass door |
| ⑳ Speaker | ②⑳ Wooden floor---only for B609 (L) |



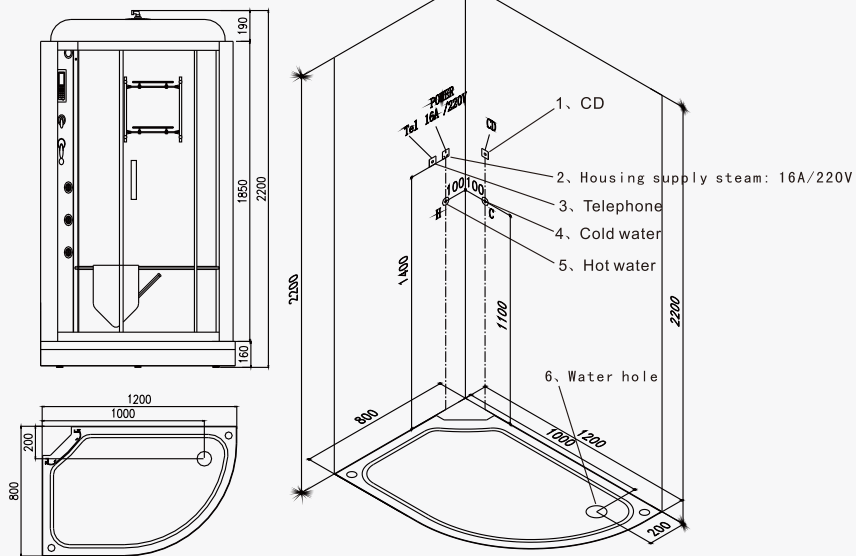
The picture shows a left side spare part; Please refer it symmetrically if you choose a right side part.

Water and supply installation of B609(L) \B 609A

B609 (L) \B609A (L) : 1200X800X2200

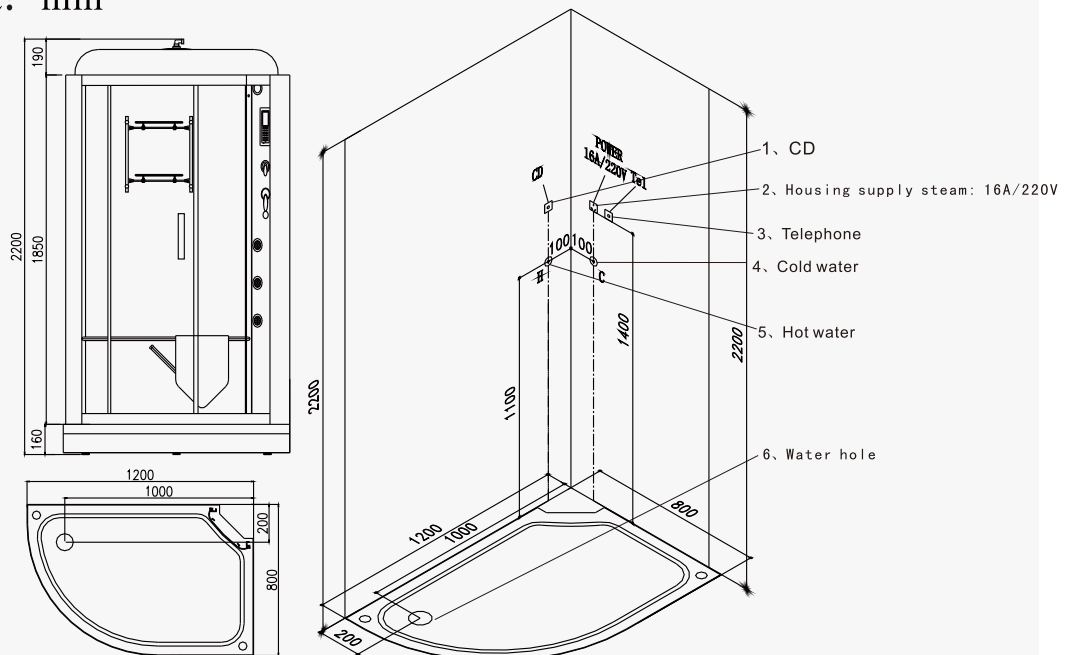
Unit: mm

The zero line, live line, and grounding line of indoor power sockets have to be in strict compliance with standard configurations.
Prior to connecting hot and cold water pipes, please connect the corresponding pipes on the backplane, and secure them.

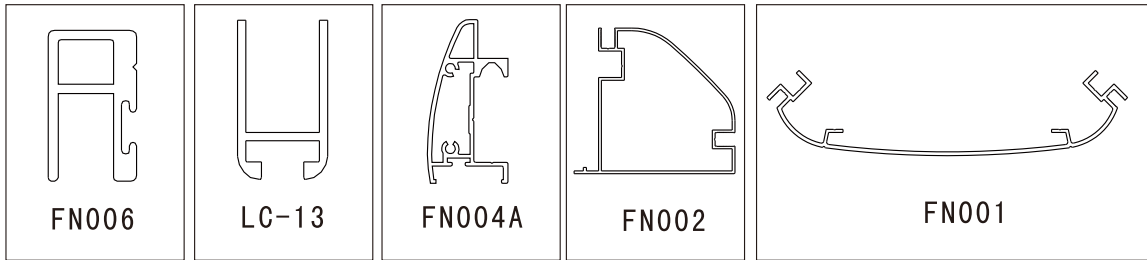


B609 (R) \B609A (R) : 1200X800X2200

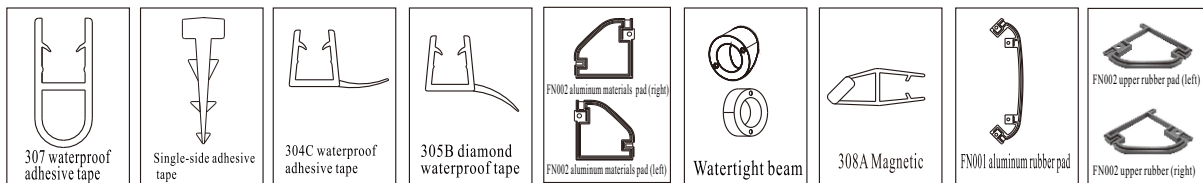
Unit: mm



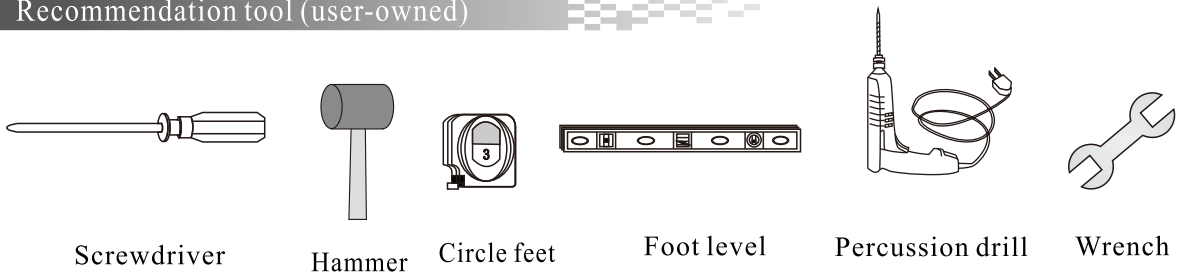
Cross sectional illustration of aluminum materials



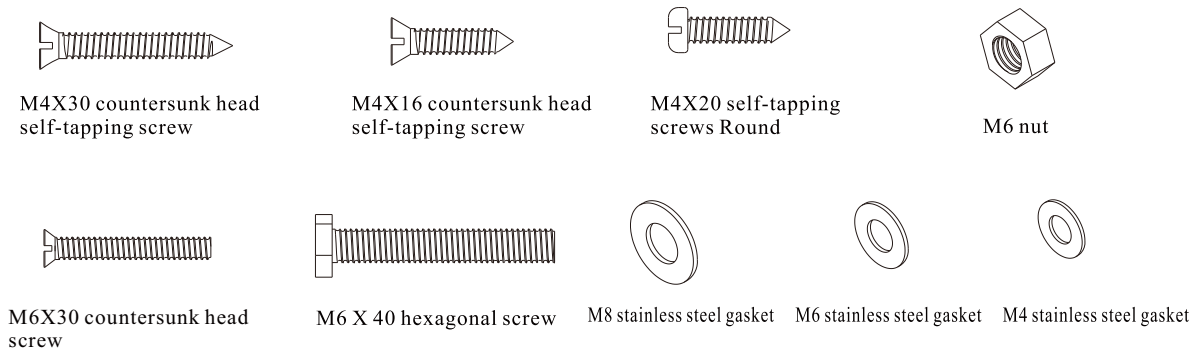
Cross sectional illustration of adhesive tape



Recommendation tool (user-owned)



Installation of screws



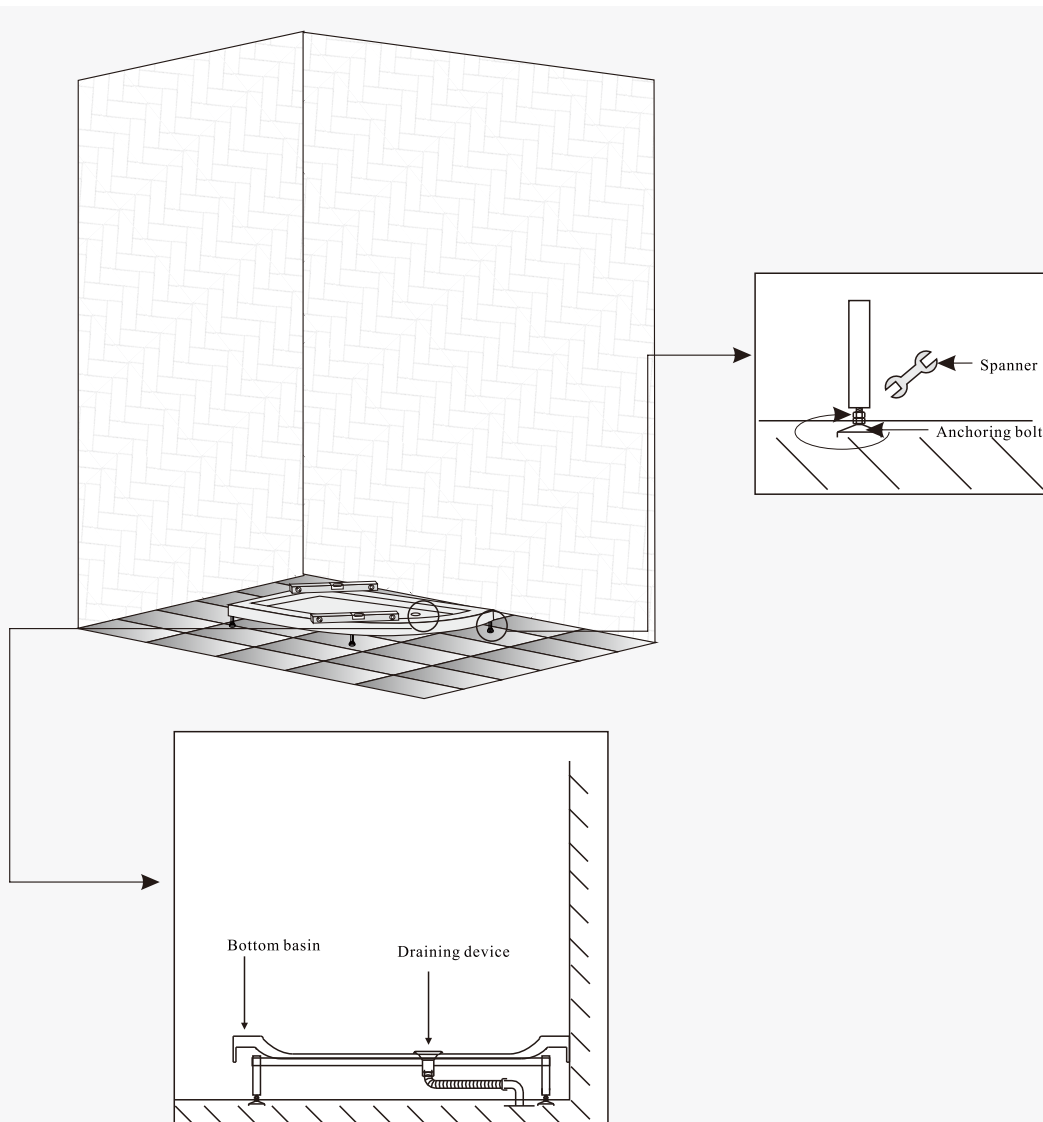
B609 (L) \ B609A

Installation procedures

I. Bottom basin installation (Fig. 1):

1. Dismount apron plate: first remove the nuts and screws on the bottom basin apron, and then carefully remove the apron plate from the bottom basin with your hands.

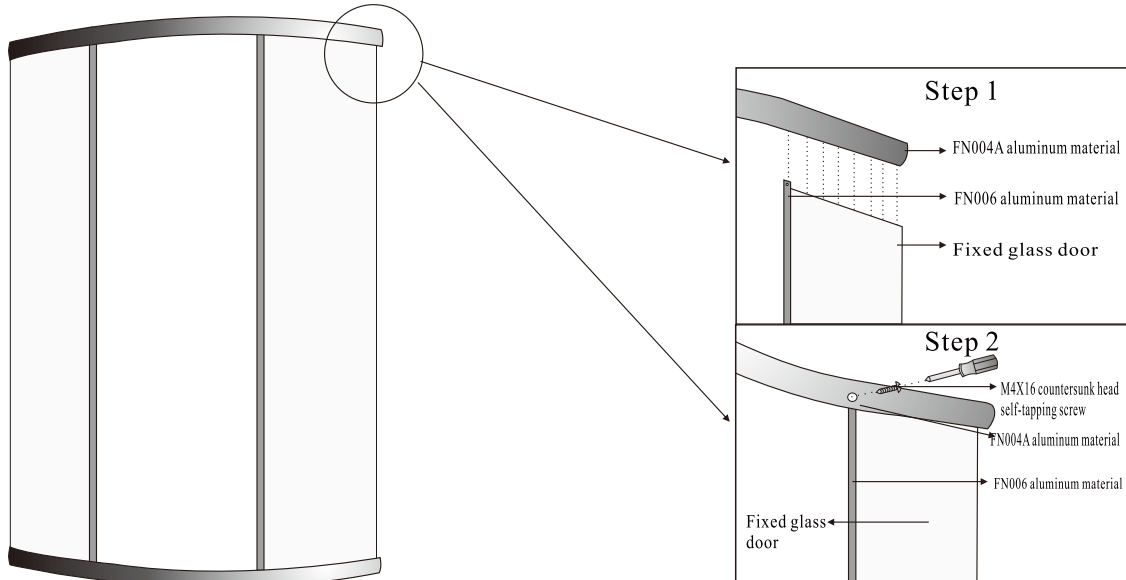
2. Install bottom basin: place the bottom basin at a predetermined place for installation, be sure that the edge of the bottom basin is as close to the wall as possible, place the horizontal ruler on the surface of the bottom basin, use a spanner to adjust the anchoring bolts of the bottom basin up to the surface level, so that there is no swing for the bottom basin. Check whether there is sufficient space for the drainpipes for connection with the drainage. To facilitate the following construction, you can move the bottom basin by a small margin, and then relocate it after installation.



(Fig. 1)

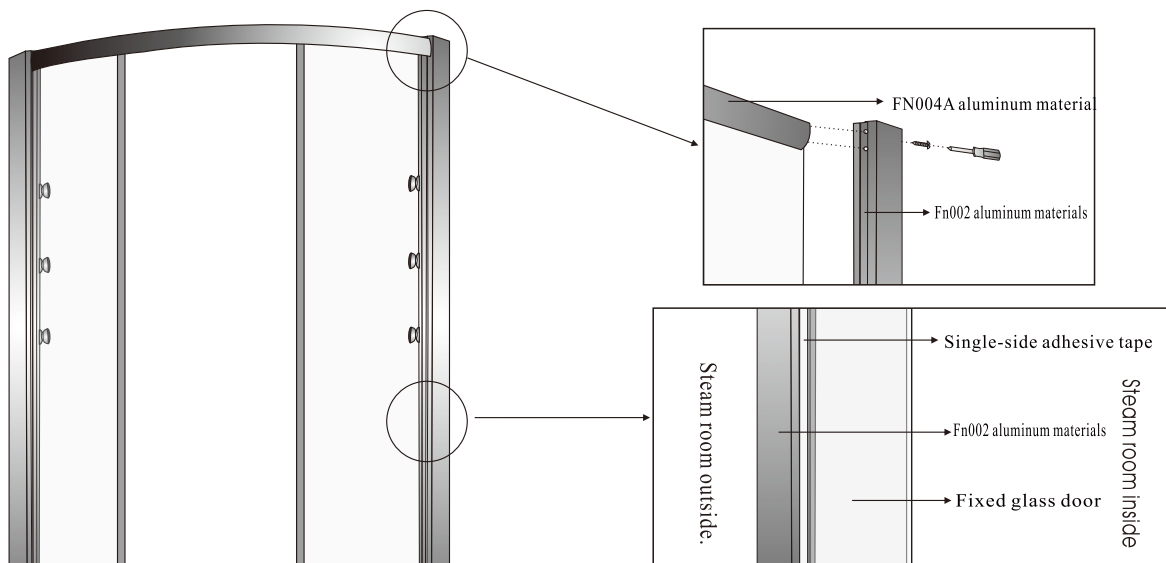
II. Glass door installation:

1. First get out aluminum material FN002, base aluminum FN004A, and FN006 aluminum materials such as that for fixing glass, then connect fixing glass on both sides with base aluminum FN004A (use M4 x 16 countersunk hand self-tapping screws for fixing), as shown in Fig. 2.



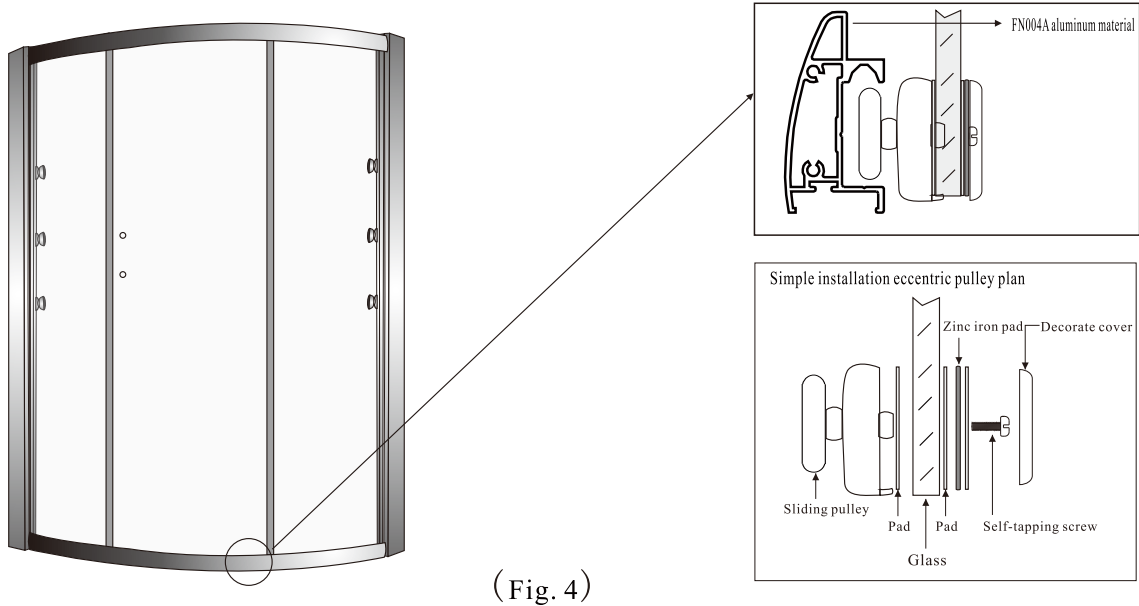
(Fig. 2)

2. Connect FN002 aluminum materials to both sides of FN004 elbow aluminums, use M4 x 30 countersunk head self-tapping screws for fixing, and then apply single-side adhesive tapes after connection and securing, as shown in Fig. 3.



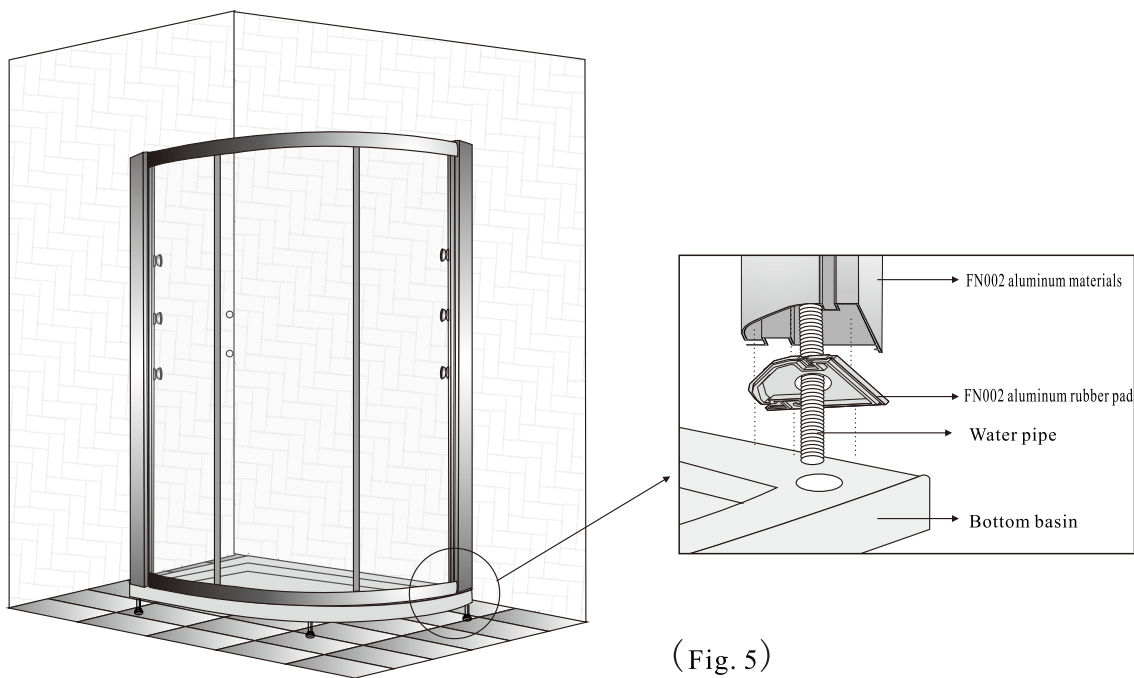
(Fig. 3)

3. Take out the movable glass door, and apply the two pieces of movable glass (with pulleys) to the FN004A elbow aluminum slide rails, as shown in Fig. 4.

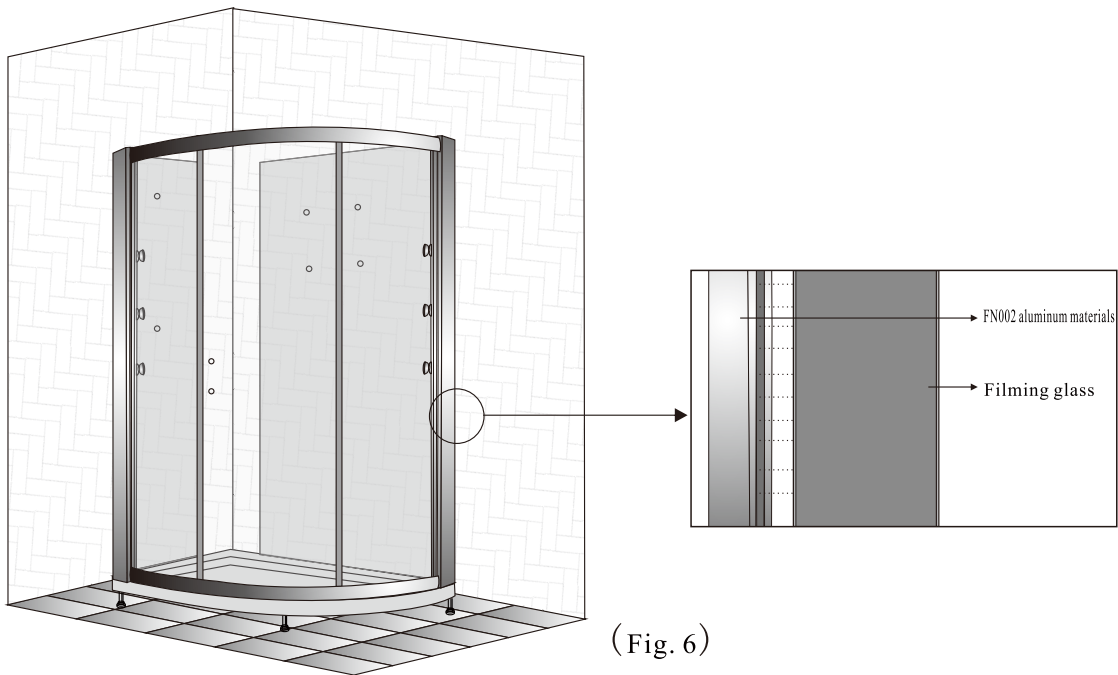


III. Chamber body installation

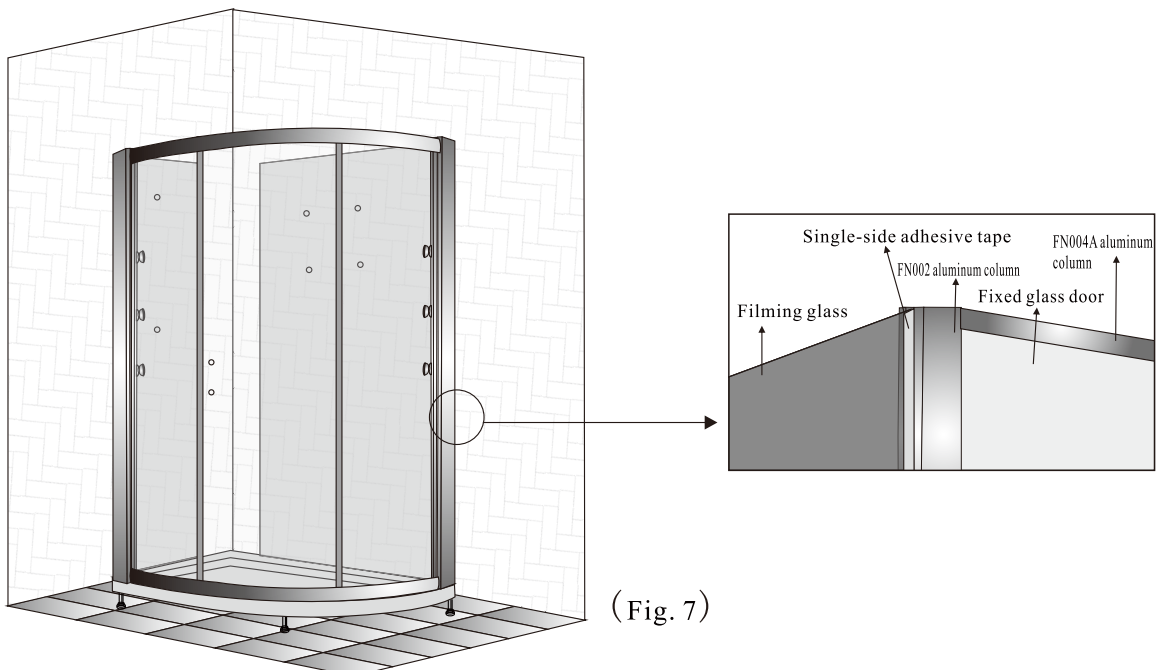
1. Apply rubber pads to the bottom of the FN002 aluminum materials of the preinstalled glass door, and then install the whole glass door onto the bottom basin. (Note: to install the glass door onto the bottom basin, first apply the FN002 iron column spout onto the water outlet pipelines of the bottom basin before installing the whole glass door, as shown in Fig. 5.)



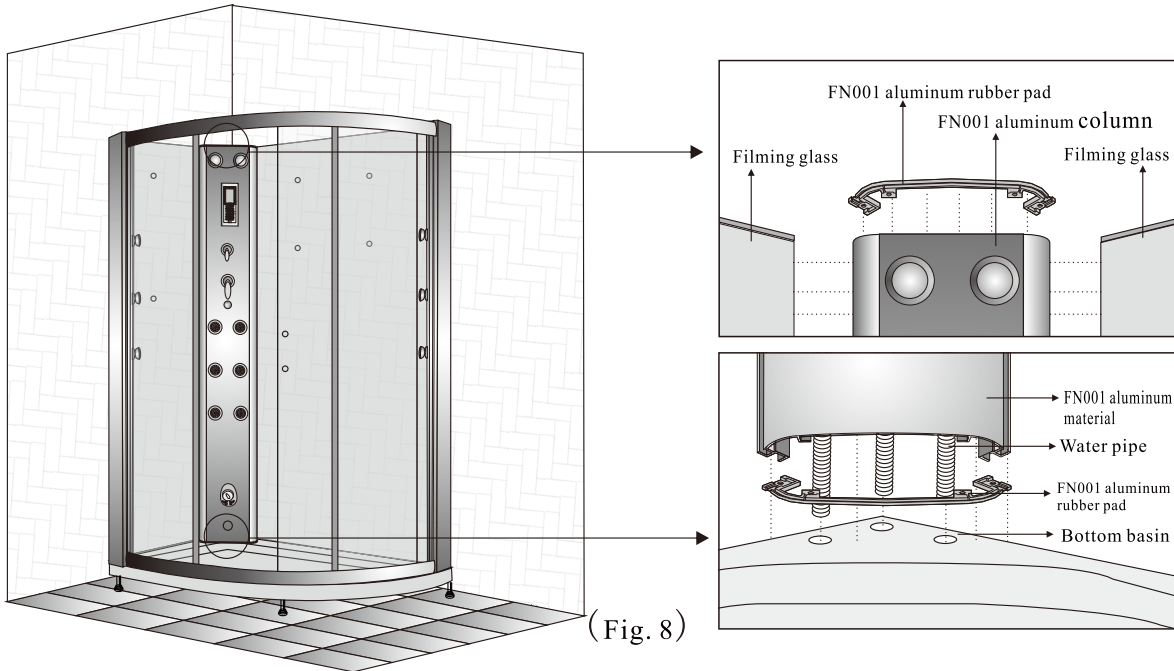
2. Take out the filming glass, apply 305B diamond waterproof adhesive tapes onto the top of the filming glass, and 307 waterproof adhesive tapes to the bottom, then apply the filming glass onto the FN002 nozzle of the side aluminum materials of the glass door, as shown in Fig. 6. (Note: the filming glass is with left and right directions).



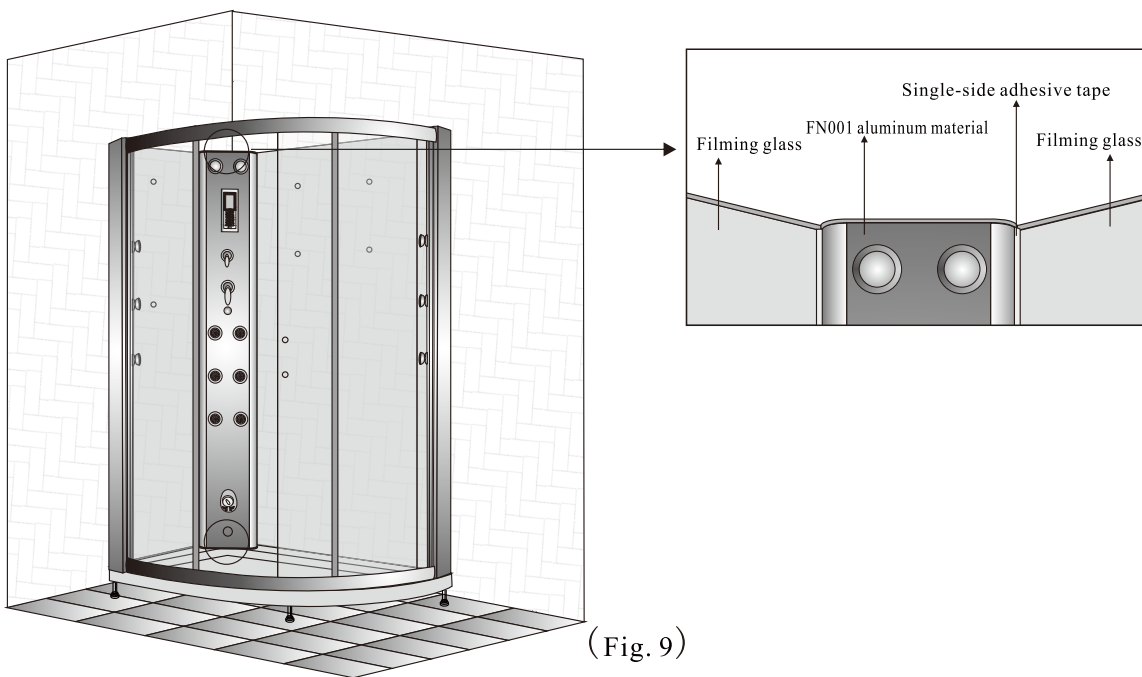
3. After applying the filming glass, use a single-side adhesive tape for fixing. The installation of the filming glass on the other side is the same (as shown in Fig. 7). Install FN002 aluminum rubber pads to FN002 aluminum materials



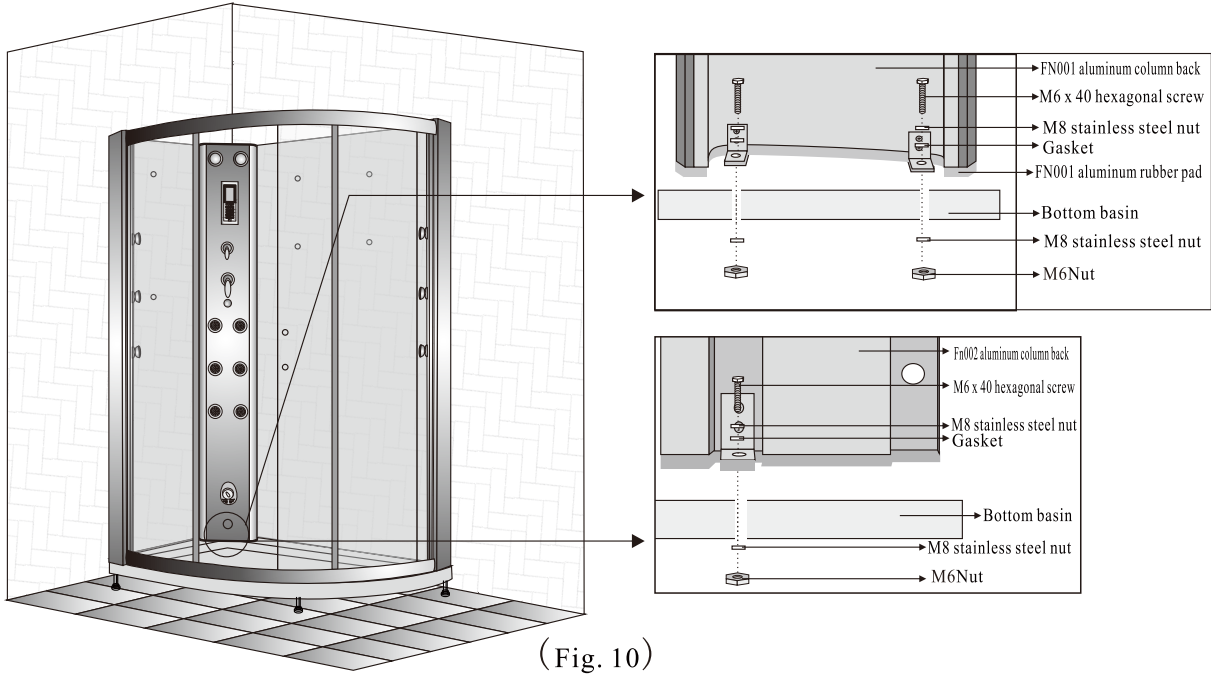
4. Get out the FN001 aluminum column, apply rubber pads onto the top and bottom of the aluminum post (as shown in the figure), and then install it onto the steam room body. (Note: to install the FN001 aluminum materials, first apply the water pipe of FN001 aluminum post onto the water pipeline outlet, and then apply one side of filming glass onto the FN001 aluminum post nozzle (as shown in Fig.8).



5. After mounting FN001 aluminum column, use a single-side adhesive tape for fixing, as shown in Fig. 9.



6. Fix the steam room body, use M6 x 40 hexagonal screws to connect the secure the steam room body with the bottom basin according to the corresponding holes, as shown in Fig. 10.

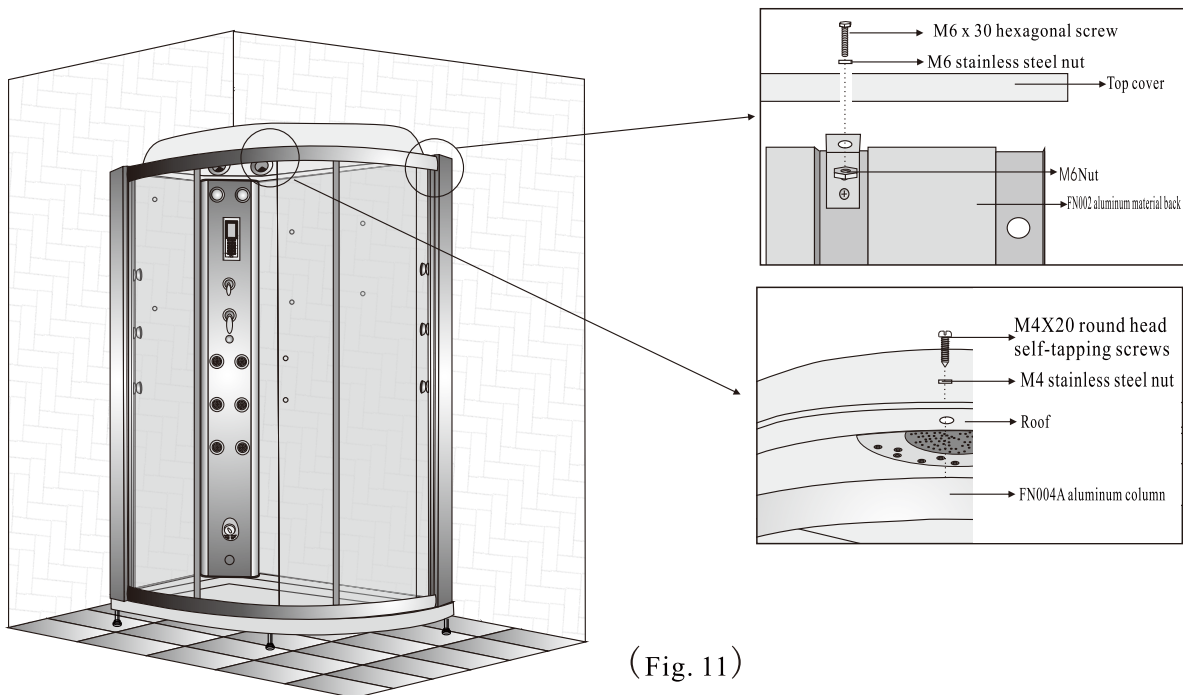


(Fig. 10)

IV. Roof installation

1. Get out the roof, apply it to the steam room body, and fix it with screws according to corresponding holes, as shown in Fig. 11.

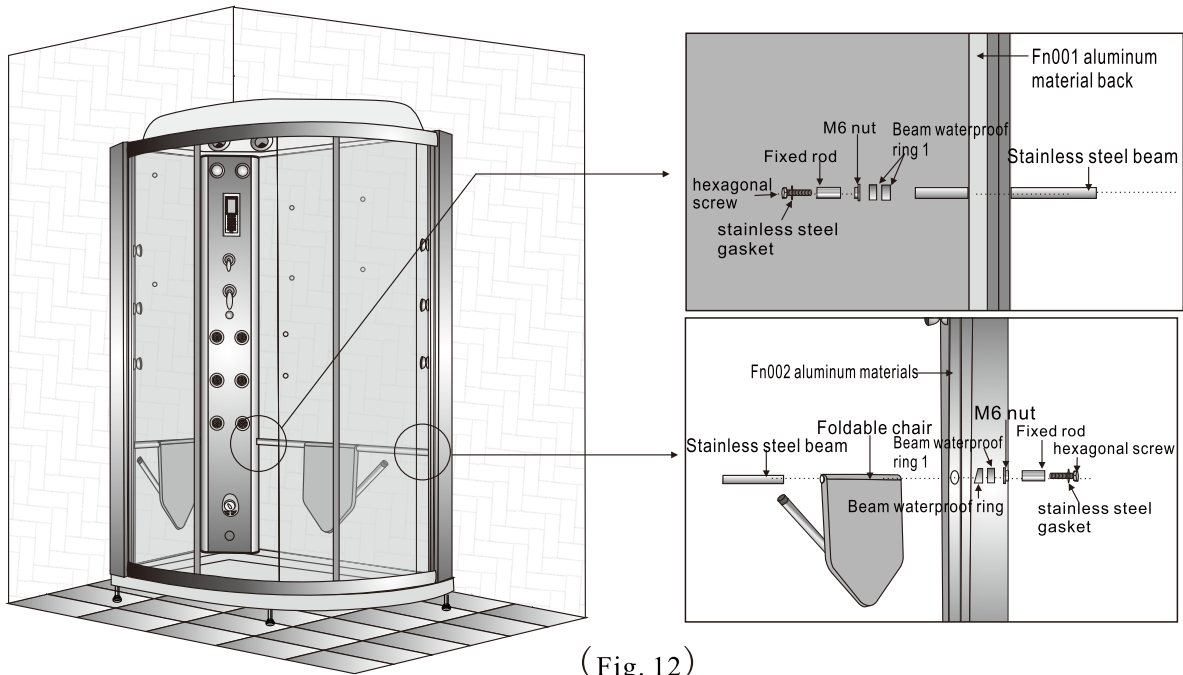
2. Connect the lamp wires of the roof with the water pipes.



(Fig. 11)

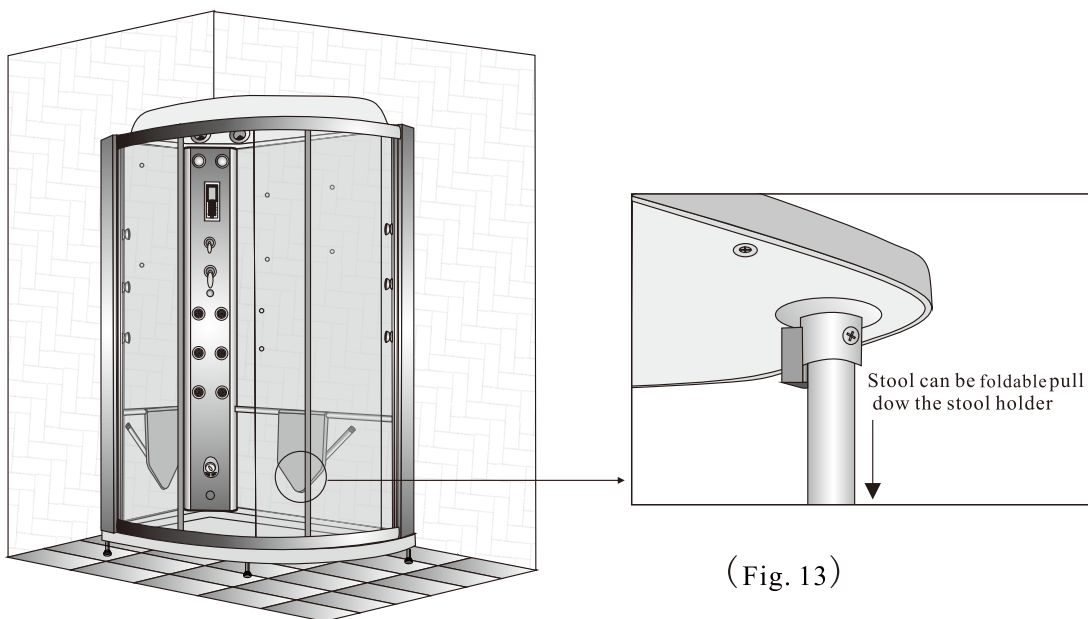
V. Chair installation

1. First thread the chair beam through the FN001 aluminum back, then apply the foldable chair, FN002 aluminum material, and apply the beam waterproof ring on both ends of the stainless steel beam, as shown in Fig. 12.



(Fig. 12)

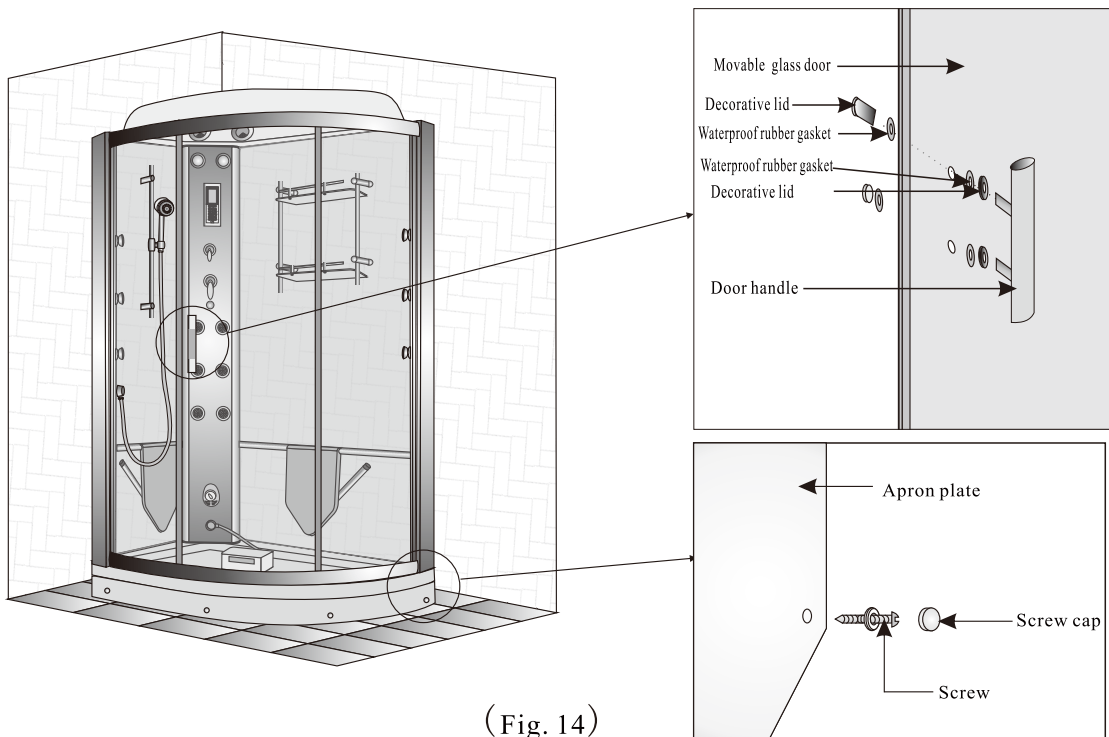
2. After the stool is threaded, use M4x30 countersunk screws at both ends of the stainless steel beams to fix them onto the back of the FN001 aluminum material. To use the foldable stool, please pull out the stool holder at the seat of the stool for fixing. After use, please first pull out the stool holder and then fold the stool, as shown in Fig. 13



(Fig. 13)

VI. Installation of spare parts

After the chamber body is installed, install the lifting support, shower head, support rack, foot massage device, and handle to the corresponding locations, as shown in Fig. 14.



(Fig. 14)

VII. Checking and connecting power supply, and water test

Please check whether the various installation procedures are in compliance with the above-mentioned requirements. Connect power cords according to related markings and directions correctly. Be sure that various connectors and plugs are free from loosening and falling. After check, connect the power supply. Carefully check connection of various circuits and water supply lines. Then open the tap and the power supply to check whether the various functions are normal, and whether there is water leakage for various connectors.

Note: 1. Please connect the power cords according to circuit indication, and there shall be no missing connection, wrong connection or reverse connection, otherwise, it may result in burning the computer boards.

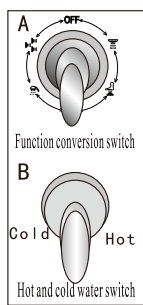
2. Be sure that there is no water entry or dropping into the various power cord connectors.

3. Before installation, please get the radio antenna outdoors, so as to achieve better receive result.

VIII. Fix the apron boards, and move the steam chamber to an appropriate location

Rod usage

A is a function conversion switch, and it is used to shift among shower head, back spray and top spray. B is the hot and cold water switch. Lift the hot and cold water switch, and the water supply is started. Press down the switch, and the water supply is off. Turn on the rotation switch in the right and left to adjust the hot and cold water.



Shower head



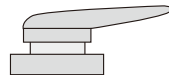
Back spray



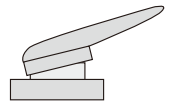
Top spray



Foot massager



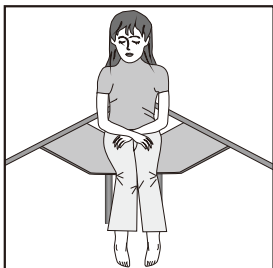
Shut down water supply



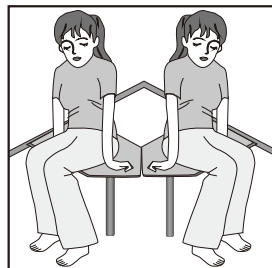
Start up water supply

Notes for use of foldable tool

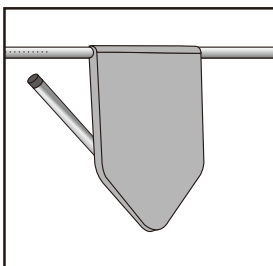
Usage Method for Folding Stool:



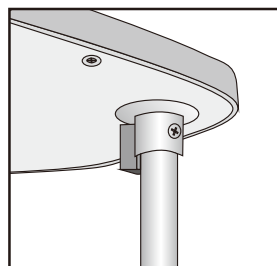
Single People Use



Double People Use



Folded up



Stretch up

Maximum Weight-bearing for Single Stool: 120Kg
 Maximum Weight-bearing for Double Stool: 250Kg

Introduction to Function

Function	Model	E-BF600B
LCD		√
Digital FM receiver		√
Exhaust fan		√
Top light		√
Background light		√
Sauna		√ (two ways)
Cleaning of steam generator		√
Shower		√
Bluetooth call answer		√
Bluetooth music play		√
Real-time clock function		√
Ozone function		√
Remote control function		√
Alarm for help		√
Smart self-troubleshooting and alarm		
Note: "√" stands for function available;		

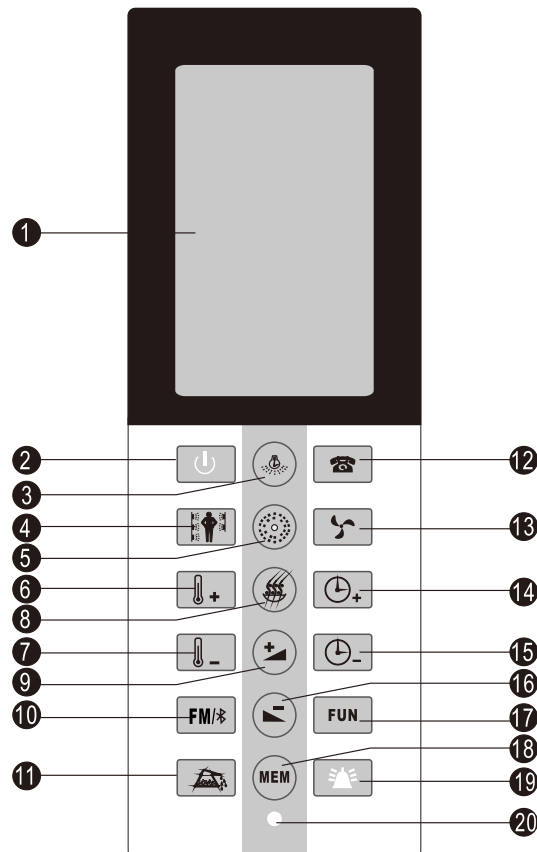
The control system includes

- (1) Handheld infrared remote controller (1 piece)
- (2) Control panel (1 set)
- (3) Control electric box (1 set)
- (4) Steam generator (1 piece)

Characteristics of the controller

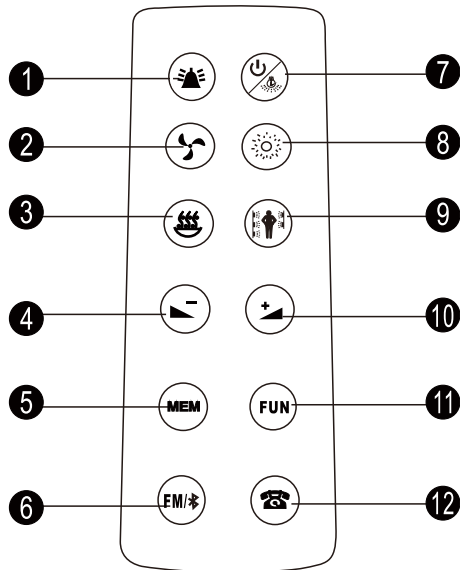
- (1) Rated voltage: AC240V
- (2) Effective distance for Bluetooth: < 10m
- (3) Rated frequency : 60HZ
- (4) Standby power: < 10W(allloads off)
- (5) Temperature range for use of product: +5°C ~ +40°C.

Schematic diagram for control panel



- | | |
|---------------------------------|-----------------------------------|
| ① LCD(liquid crystal display) | ⑪ Cleaning of steam generator key |
| ② ON/OFF key | ⑫ Telephone key |
| ③ Top light key | ⑬ Exhaust fan key |
| ④ Shower key | ⑭ Time increase key |
| ⑤ Background light key | ⑮ Time decrease key |
| ⑥ Temperature increase key | ⑯ Volume/Frequency decrease key |
| ⑦ Volume decrease key | ⑰ Function switchover key |
| ⑧ Steam key | ⑱ Radio station memory key |
| ⑨ Volume/Frequency increase key | ⑲ Alarm key |
| ⑩ Radio/Bluetooth key | ⑳ Remote control receiver |

Remote controller keys

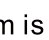



- ① Alarm key
- ② Exhaust fan key
- ③ Steam key
- ④ Volume/Frequency decrease key
- ⑤ Radio station memory key
- ⑥ Radio/Bluetooth key
- ⑦ Keep pressing to turn on/off the system
press to turn on/off the top light
- ⑧ Background light key
- ⑨ Shower key
- ⑩ Volume/Frequency increase key
- ⑪ Function switchover key
- ⑫ Telephone key



Operation Methods

(The start of any function button is usually accompanied by a buzzer sound)

1. Power switch “ ”

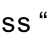

When the system is off, press the power switch “” on the control panel to switch on the control system. The background light is on and the LCD screen shows light, real-time clock and room temperature, indicating that the system is on. When the system is on, press the power switch “” on the control panel to switch off the control system. All loads will be turned off.

2. Exhaust fan “ ”

When the exhaust fan is off, press “” key to switch on the exhaust fan and the LCD screen to show the corresponding logo; If the exhaust fan is on, press “” key to switch off the exhaust fan and the LCD screen.

3. top light “ ”, background light “ ”

Control directions for “” top light:

If the top light is off, press “” key to switch on the top light and the LCD screen to show dynamically the corresponding logo; If the top light is on, press “” key to switch off the top light and the LCD screen.

Control directions for “☀️”background light (colored light):

If the background light is off, press “☀️”key for the first time to turn on dark green background light; press “☀️”key for the second time to turn on light blue background light; press “☀️”key for the third time to turn on pink background light; press “☀️”key for the fourth time to turn on white background light; press “☀️”key for the fifth time to turn on orange - light green - dark green - light blue - dark blue - pink background light in turn; press “☀️”key for the sixth time to turn off background light;

If either the top light or background light is on, the LCD screen will be turned on automatically and show dynamically the corresponding logo.

4. Sauna “🌫️”

4.1 When the steam is off, press “🌫️”key to switch on the steam function and the LCD screen to show the corresponding logo; the water solenoid valve will open automatically and the steam generator will be filled with water automatically; If the steam function is on, press “🌫️”key to switch off the steam function and the LCD screen.

4.1 When the water sensor detects the water level reaching the normal level, water intake stops and the steam function starts working; the controller will automatically control the temperature of the sauna room according to the default value (the default temperature is 45°C, and the default time is 45 minutes), and fill up water automatically if it is lack of water.

Control rules:

If the temperature of the sauna room > the default temperature + 1°C, the steam generator will stop heating;

If the temperature of the sauna room < the default temperature - 1°C, the steam generator will restart heating;

4.2 When temperature and time is set again, the controller will control the temperature of the sauna room according to the setting values.

Control rules:

If the temperature of the sauna room > the set temperature + 1°C, the steam generator will stop heating;

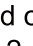
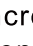


If the temperature of the sauna room < the set temperature - 1°C, the steam generator will restart heating;

5. Temperature setting



Press the “⬇️” or “⬆️” keys on the control panel for temperature setting, which will be shown on the LCD screen as “°C”. Each time when the “⬇️” or “⬆️” key on the control panel is pressed, the temperature will be decreased or increased by 1°C; if the “⬇️” or “⬆️” key on the control panel is pressed for over 2 seconds, the temperature will be decreased or increased at a speed of 1°C per 0.5 second; if the “⬇️” or “⬆️” key on the control panel is not pressed within 5 seconds, the last set temperature will become the set temperature, the system will quit the temperature setting mode, and the temperature shown on the system display will return to room temperature. Temperature setting range: 20°C -- 55°C.

6. Time setting

Press the “⌚” or “⌚” key on the control panel for time setting, which will be shown on the LCD screen as “min”. Each time when the “⌚” or “⌚” key on the control panel is pressed,

the time will be decreased or increased by 1 minute; if the “” or “” key on the control panel is pressed for over 2 seconds, the time will be decreased or increased at a speed of 1 minute per 0.5 seconds; if the “” or “” key on the control panel is not pressed within 5 seconds, the last set time will become the set time, the system will quit the time setting mode. Time setting range: 5 -- 50 minutes.

7. Auto-drainage:

When the controller is turned on, the steam generator will start auto-drainage for 2 minutes and stop automatically. When the POWER ON “” key is pressed, the system will quit the auto-drainage mode. When the controller is turned on, the steam generator will start auto-drainage for 2 minutes and stop automatically. When the POWER ON “” key is pressed, the system will quit the auto-drainage mode.


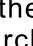
8. Digital FM receiver, Bluetooth music play, Bluetooth call answer “FM/📶”

When the “FM/📶” key is pressed for the first time, the radio will be turned on and the corresponding frequency will be shown on the LCD screen; when the “FM/📶” key is pressed for the second time, Bluetooth will be turned on and “btc” will be shown on the LCD screen (flashing means not connected, static display means connected); Press the “FM/📶” key for the third time to quit.



Digital FM receiver

FM receiver can receive FM broadcasting program with frequency from 87.5MHz to 108.0MHz.

9. Frequency increase

Press the “” key on the control panel to increase the tuning frequency for one step (1 step = 50KHz); If the “” key on the control panel is pressed for over 2 seconds, the system will start searching FM radios upward automatically and the digital lock function will automatically lock up any FM radio searched and show on the LCD screen; when the frequency reached the limit of 108.0MHz, it will automatically jump back to 87.5MHz and end the searching.

10. Frequency decrease

Press the “” key on the control panel to decrease the tuning frequency for one step (1 step = 50KHz); If the “” key on the control panel is pressed for over 2 seconds, the system will start searching FM radios downward automatically and the digital lock function will automatically lock up any FM radio searched and show on the LCD screen; when the frequency reached the limit of 87.5MHz, it will automatically jump back to 108.0MHz and end the searching.

11. Radio memory / radio recall

Radio memory: when a radio frequency is selected, press the “MEM” key for 1.5 seconds until “mem” is shown on the LCD screen, indicating the radio frequency is saved to the memory. 8 radios can be saved at maximum;

Radio recall: to recall a radio frequency from the memory, press “MEM” key to show “mem” on the LCD screen and recall the radio saved. Press the key again for the next radio frequency saved. The memory number and the radio frequency will be shown on the screen.

12. Bluetooth music play and Bluetooth call answer (hands-free) control

Bluetooth connection

Searching the Bluetooth device “PROW-BT” by mobile phone and matching. The “btc” and music icon will display on phone screen, reminding the control system has been connected with mobile phone; the “btc” icon flicks if connecting fails.

Switch off the connection by touching the button “FM/” for 3s when Radio and Bluetooth function close; click to match the device again when needed.

13. Play/Pause music through bluetooth

Switch on the music player on mobile, touch “FM/” key for 3s to control play/pause of music, touching “◀, ▶” key to choose previous or next song.

14. Answer, hang up or reject a Bluetooth phone call

Incoming call: when there is an incoming call, the incoming call rings will be heard from the loudspeaker, “TEL” will be shown on the LCD screen, and the phone call logo “☎” is flashing on the display.

Answer a Bluetooth phone call: Press the “☎” key to answer the call. the Volume shown on the LCD screen, indicating a call is connected.

Hang up a Bluetooth phone call: When Bluetooth is under a call mode, if the “☎” key is pressed, the call will be hung up and Bluetooth will quit the call mode.

Reject a Bluetooth phone call: If you press the “☎” key for 2 seconds when there is an incoming call, the call will be rejected. Bluetooth will quit the call mode,

Calling volume adjusting: Just adjust the calling volume by touching “▶” key on the control panel under the state of phone calling through Bluetooth. Adjust the calling volume by touching “▶” key on the control panel.

15. Volume adjustment

Volume can be adjusted by 80 scales, with 1dB for each scale, and the total range of volume adjustment is from 0dB to 80dB. During the course of adjustment, volume digit will be flashing on the LCD screen and the last set value will be the set value.





Press the “FUN” key on the control panel to show the volume digit “dB” on the LCD screen. Each time when you press the “▶” or “▶” key on the control panel, the volume will be increased or decreased by 1dB; if the “▶” or “▶” key is pressed for over 1.5 seconds, the volume will be decreased or increased at a speed of 1dB per second; if the “▶” or “▶” key is not pressed within 10 seconds, the last set volume will be the set volume, and the system will quit the volume setting mode.






16. Shower function “☎” (1,2,3 and 4 refer to different kinds of spraying and the circulation interval is 5 seconds)

Shower function ON/OFF

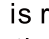

If the shower function is off, press “☎” key to turn on the shower function and show dynamic logo on the LCD screen. Press the “☎” key for multiple times to turn off the shower function and shower logo.

Control of shower function

Method 1: Press the “” key for the first time to turn on back shower; press the “” key for the second time to turn on side shower; The third press of the “” key, the back sprayer start to work and the side sprayers stop; after 5 seconds, the back sprayers stop while the side sprayers start to work; press the “” key for the fourth time to turn off the shower function.

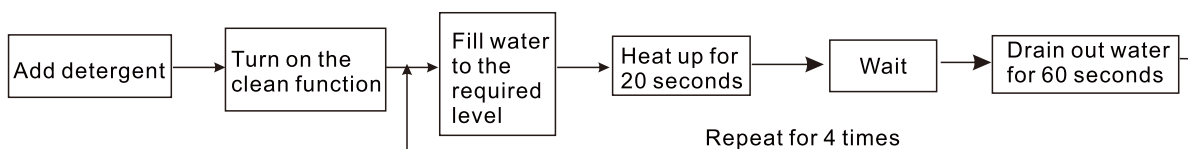
Method 2: The first press of “” key, one-side spraying starts and circulates in a up and down sequence; the second press of “” key, one-side spraying starts with all working at the same time; the third press of “” key, the left and right spraying starts and circulate; the fourth press of “” key, the left and right spraying starts and all working at the same time; the fifth press of “” key, all sprayers stop.

17. Alarm function “”

Alarm function: In case there is an alarm, light and fan will be turned on at the same time; when the alarm is removed, light and fan will be turned off. Press the “” key to enable the alarm function, the alarm logo “EE” will be shown on the LCD screen and the alarm ringtone will sound. To disenable the alarm function and switch off the system by pressing the ON/OFF “” key.

18. Cleaning of steam generator “”

Wait for three minutes after the steam generator is turned off (no steam is generated; all water inside the water tank of steam generator is drained out; the water intake valve of steam generator is closed), then add detergent into the steam generator, and wait for three seconds, then keep pressing the cleaning key to turn on the clean function. The cleaning procedures will be as follows:



Note:

1. Wait for 60 minutes after the first heating, and three minutes after the second, third and fourth heating. If water filling fails to reach the required level after 60 seconds, turn off the clean function, and report fault “E2”; if cleaning water fails to be drained out after 60seconds, report fault “E6”;

2. Cleaning procedures are displayed on LCD screen during the course of cleaning as “times -- steps”, for example “2-1”, 2 means the second cleaning, 1 means step 1. Each cleaning circle includes 4 steps: 1) fill in water; 2) heat up; 3) wait; 4) drain;

3. It is recommended neither to turn off the system nor cut off power during the course of cleaning. Use the sauna room after the whole process is completed to prevent detergent residue from staying inside the steam generator;

4. Cleaning shall be done when nobody is using the sauna room. It is recommended to use the cleaning function after the steam generator is used for 20 times.

5. If sauna, shower, radio, telephone, ozone, fan or light function is used after the system is turned on, it is unable to use the cleaning function. Turn the system off and on again to use the cleaning function.

Smart self-troubleshooting and alarm

The system is provided with five built-in smart self-troubleshooting functions. Troubles are defined as follows:

1.E1: Temperature sensor fault: If the steam function is turned on and the temperature sensor is malfunction, steam will be closed automatically and the steam function is out of use. When the temperature sensor is disconnected or short-circuited, the temperature display will become a flashing “E1” and the alarm buzzer will ring “Ding...Ding...” for 10 times. After the temperature sensor is detected again, E1” disappears and system resumes to normal.

2.E2: Water level detector fault: If the water level detector is out of function when the steam function is in use, for example the water level is lower than the detect level, no water is coming in, or there is scale on the probe, if there is any fault of the water detecting circuit, the temperature display will become a flashing “E2” and the alarm buzzer will ring “Ding.. Ding...” for 10 times, and the steam generator will stop heating. When the water level reaches the normal level, or the steam function is turned off, “E2” disappears from the screen.

3.E3: Water level detection overtime fault: if the power is not cut off and the fault is not cleared after the alarm for water level detector fault “E2” sounds for over 2 minutes, “E3” will be shown on the LCD and the alarm buzzer will ring “Ding...Ding...”. The system will turn off automatically and all loads will turn off. After the system is turned off and the alarm is cleared, other functions of the system resume normal.

4.E5: Dry-boiling fault: If the water level detection is failed and out of function, and the steam generator keeps heating without water, the inside temperature will become too high. If the temperature is $\geq 108^{\circ}\text{C}$, the steam function will turn off automatically. Flashing “E5” will be shown on the LCD screen, the alarm buzzer will ring “Ding...Ding...” for 10 times, and the steam generator will stop heating. Only after the fault is cleared, the steam function will resume normal operation.

5.E6: Steam system fault: When steam system fault is detected by the system, the steam function and the system will turn off automatically. Flashing “E6” will be shown on the LCD screen, the alarm buzzer will ring “Ding...Ding...” for 10 times, and the steam generator will stop heating. “E6” can only be cleared after the ON/OFF key is pressed. Ask qualified technician to check the drainage valve, drainage pipe, water level probe and heating wire and clear the fault and make the steam function resume normal

Characteristics of control:

1. If multiple faults (“E1”“E2”“E3”“E5”“E6”) appear at the same time, they will be shown on the LCD in turn;

2. If fault “E3” and “E6” appear, the system will turn off automatically and all loads will turn off. To clear the fault logo “E3” and “E6”, press the ON/OFF key again. If fault “E1” and “E5” appear, the steam function will be unable to use, which will resume normal after the fault is cleared.